

# ASPEN



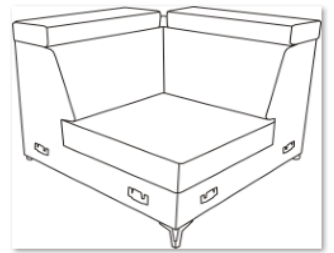
ASPEN 1



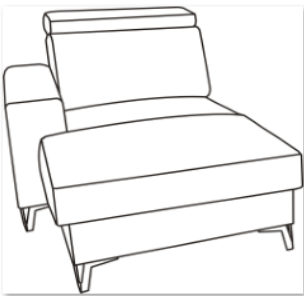
ASPEN 2



ASPEN 2F



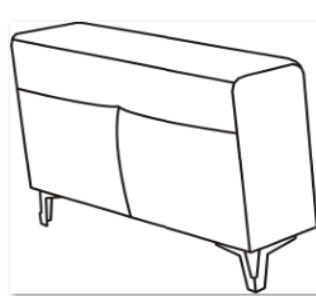
ASPEN E



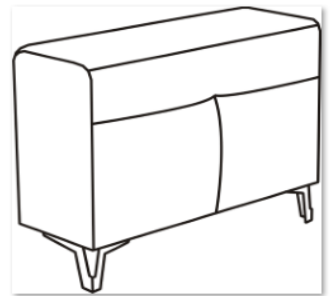
ASPEN OBKL



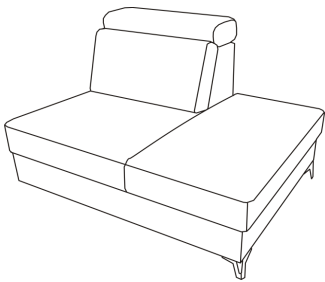
ASPEN OBKR



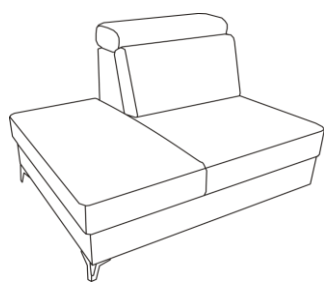
ASPEN PKL



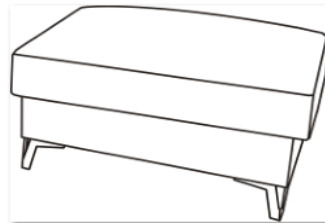
ASPEN PKR



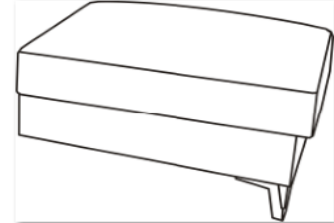
ASPEN 1HOBKR



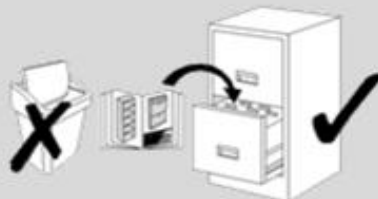
ASPEN 1HOBKL



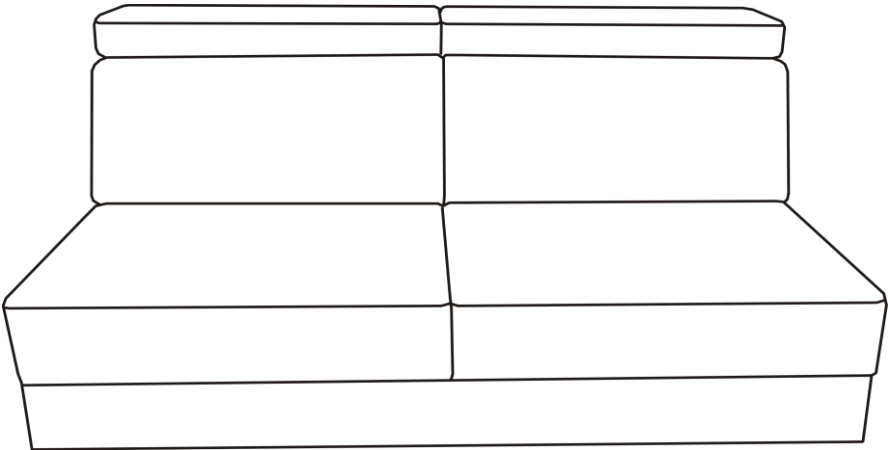
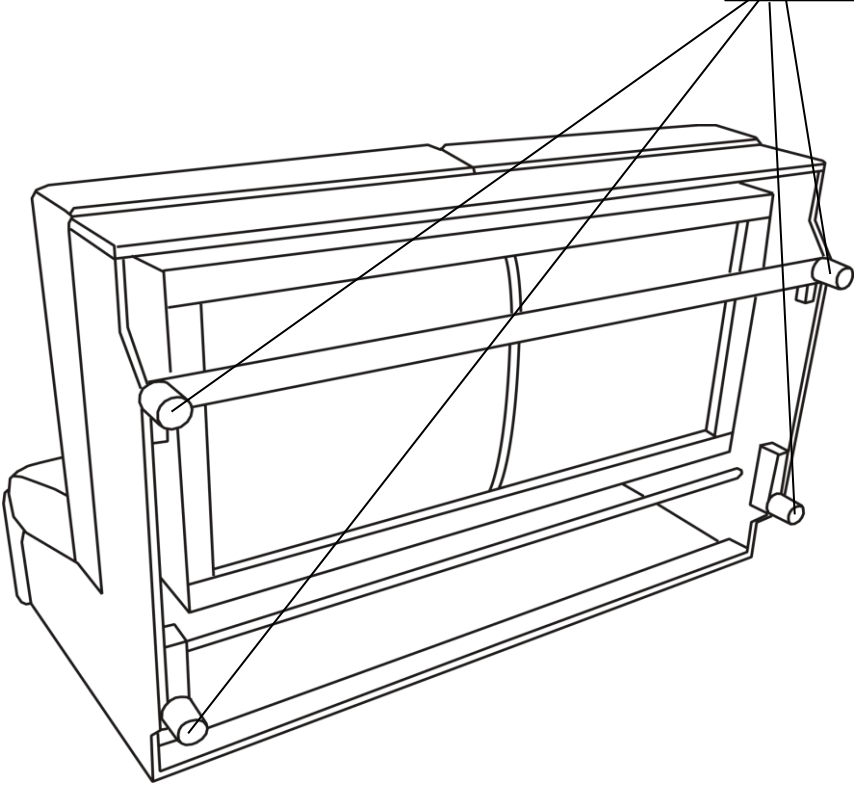
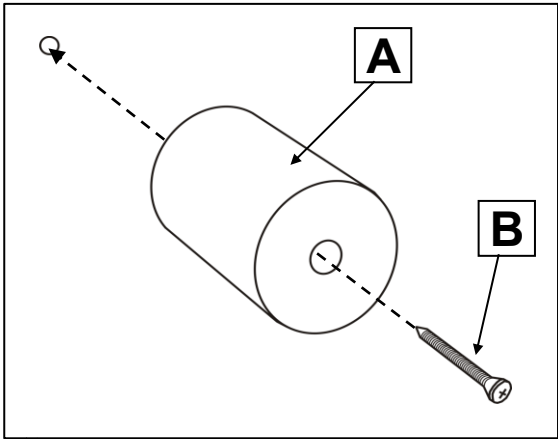
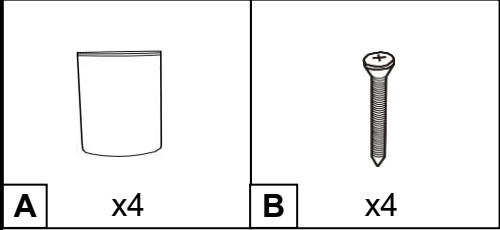
ASPEN HO



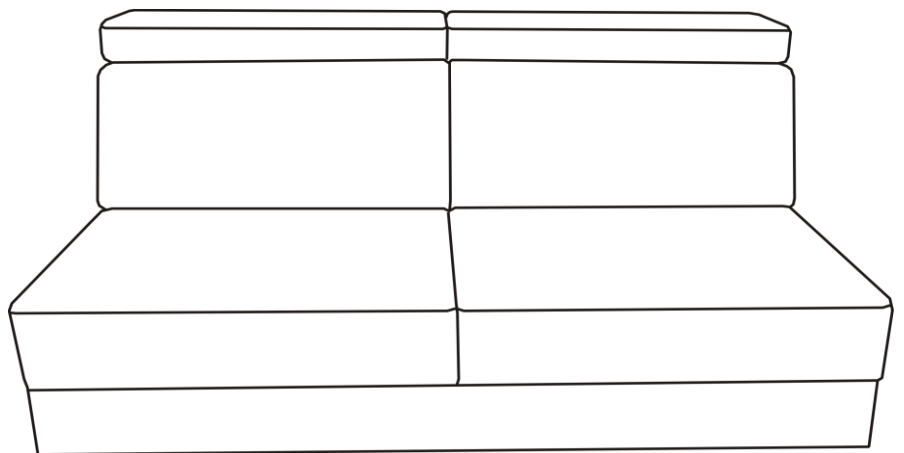
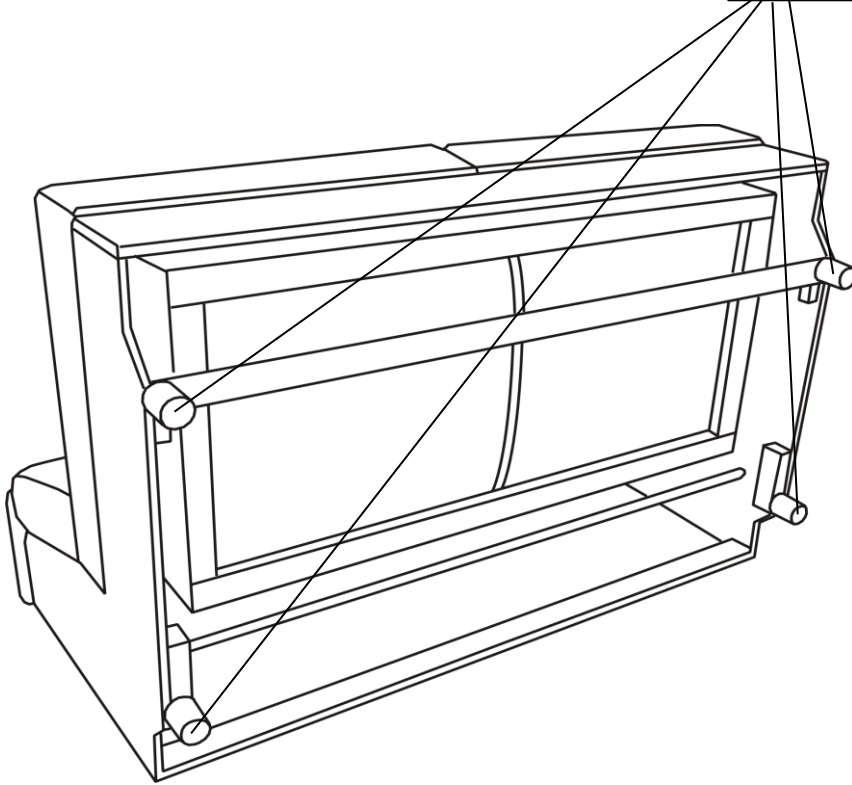
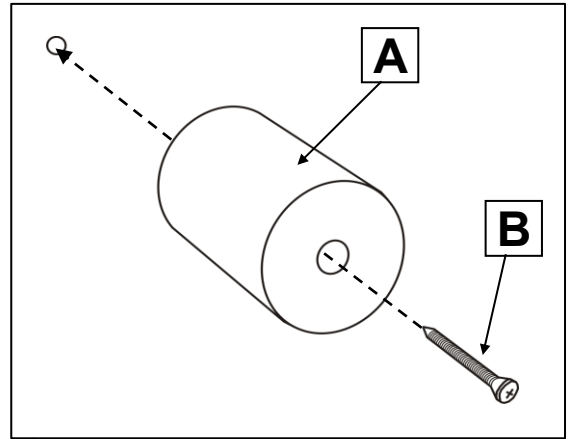
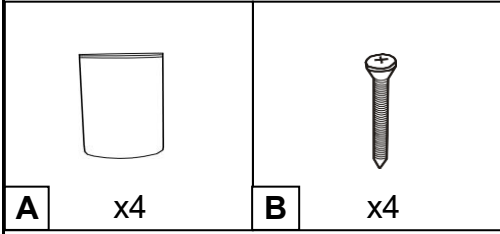
ASPEN HO70



# ASPEN 2F



# ASPEN 2BK

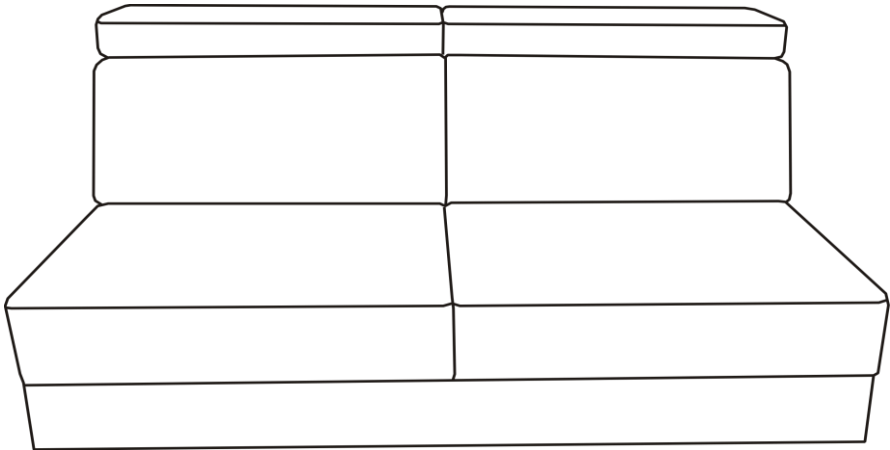
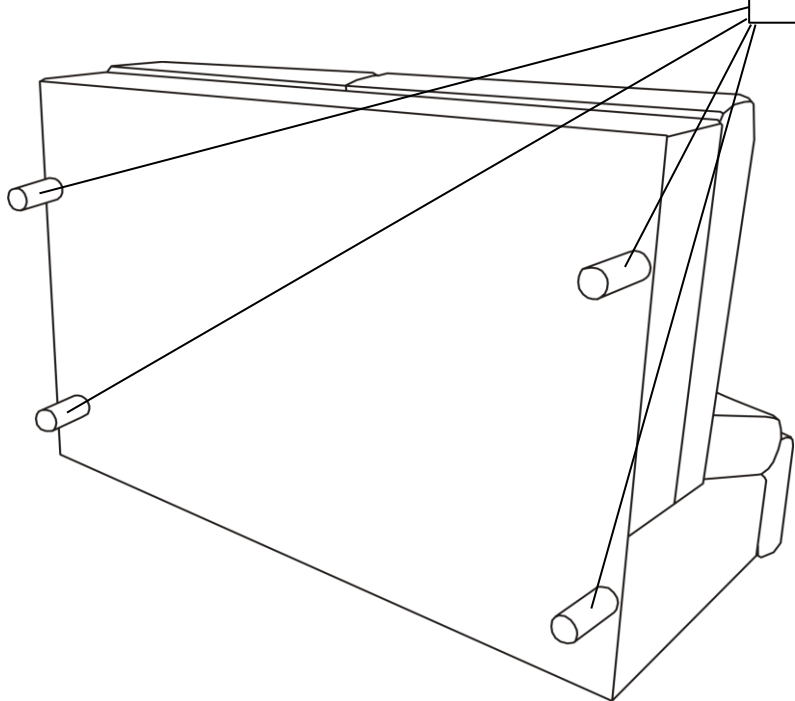
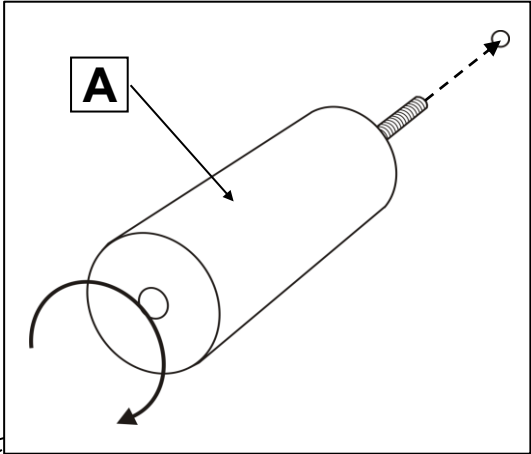


# ASPEN 2

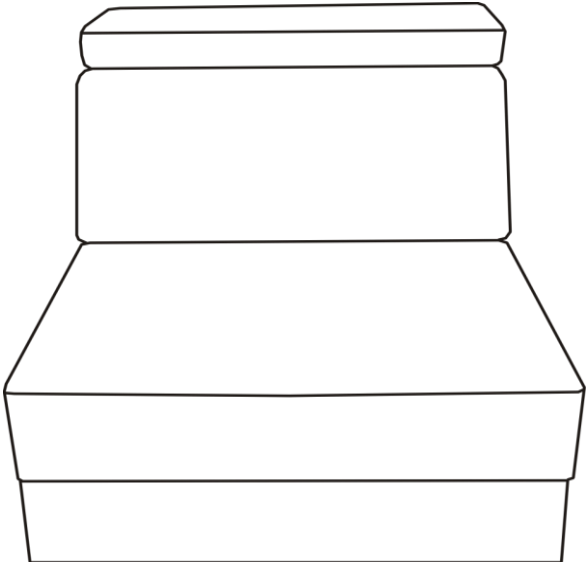
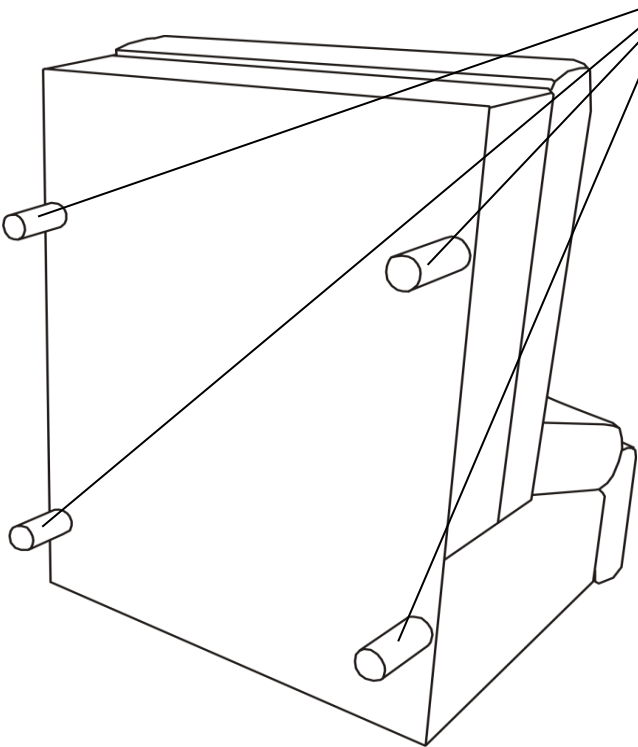
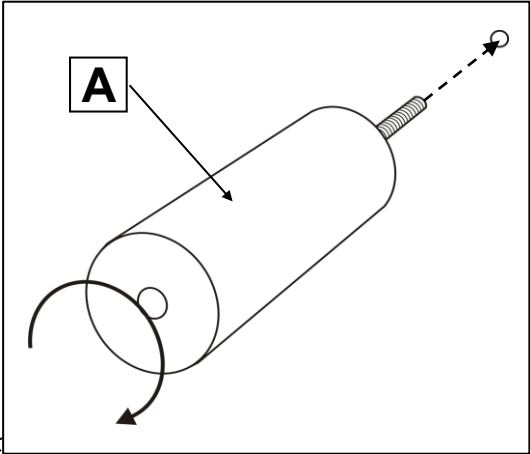
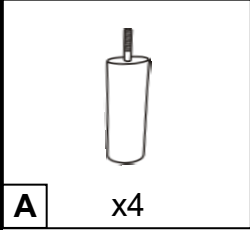


A

x4



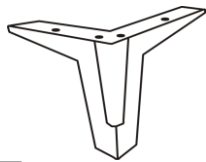
# ASPEN 1



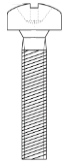
# ASPEN E



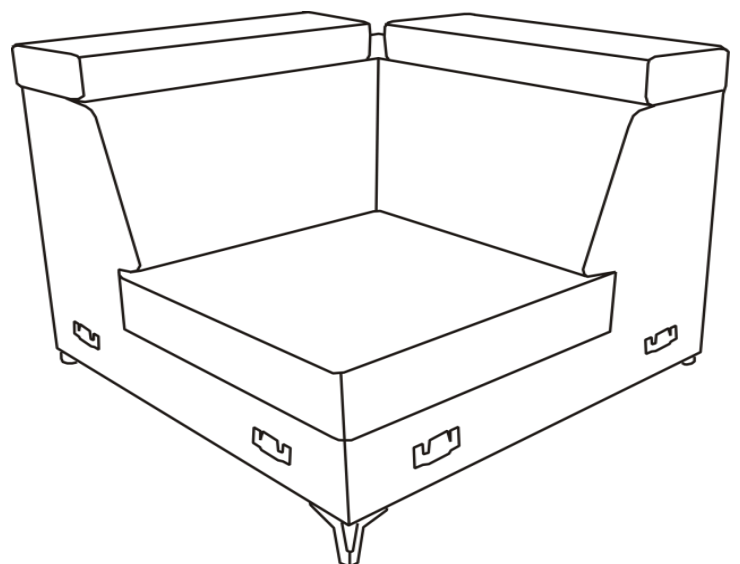
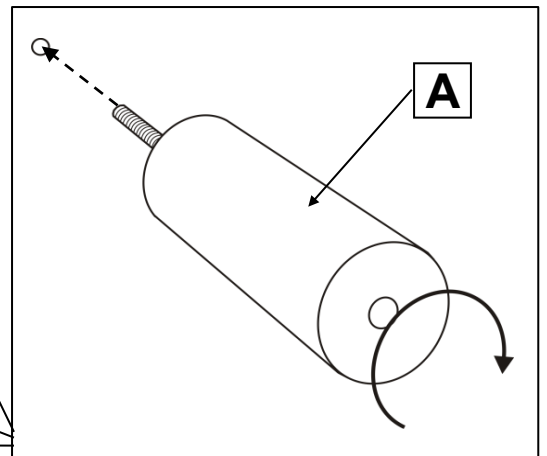
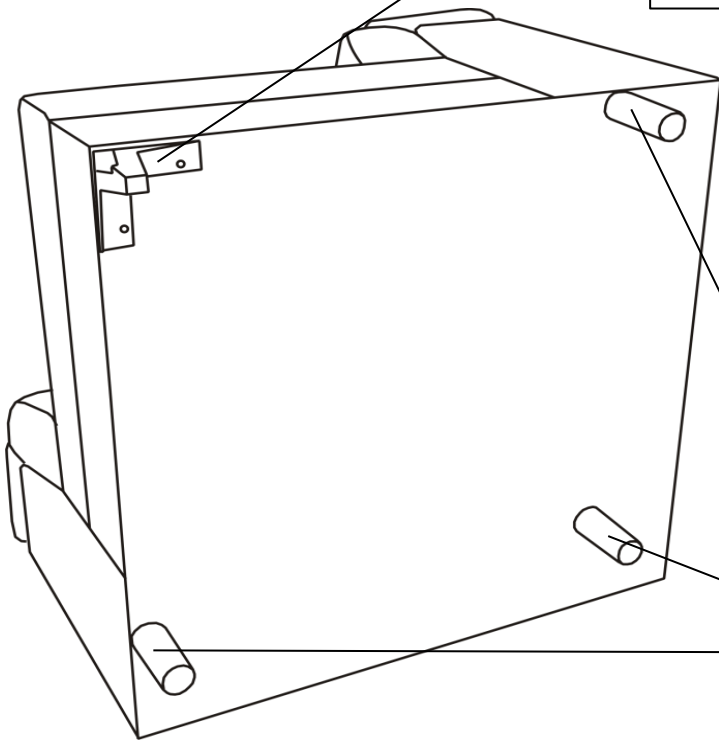
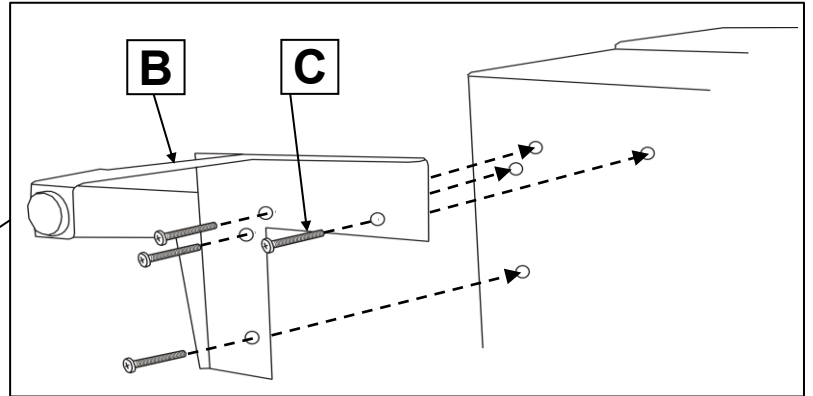
A  
x3



B  
x1



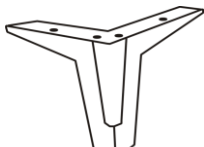
C  
x4



# ASPEN OBKR



x2



x4



x8



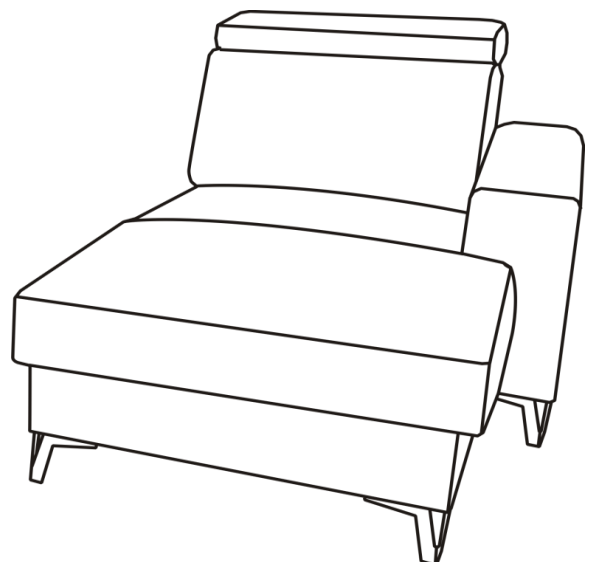
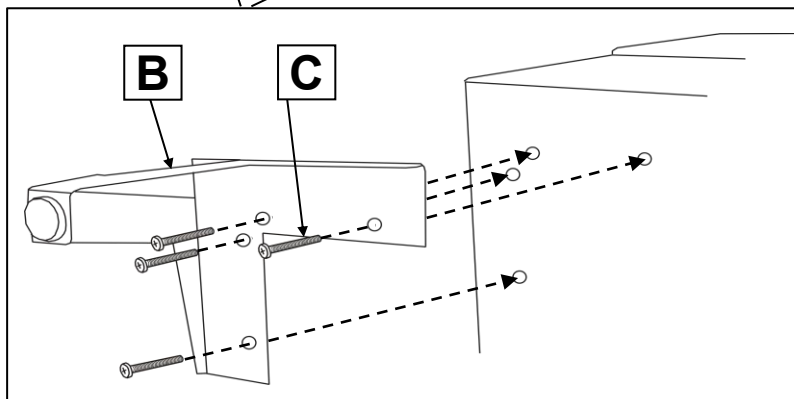
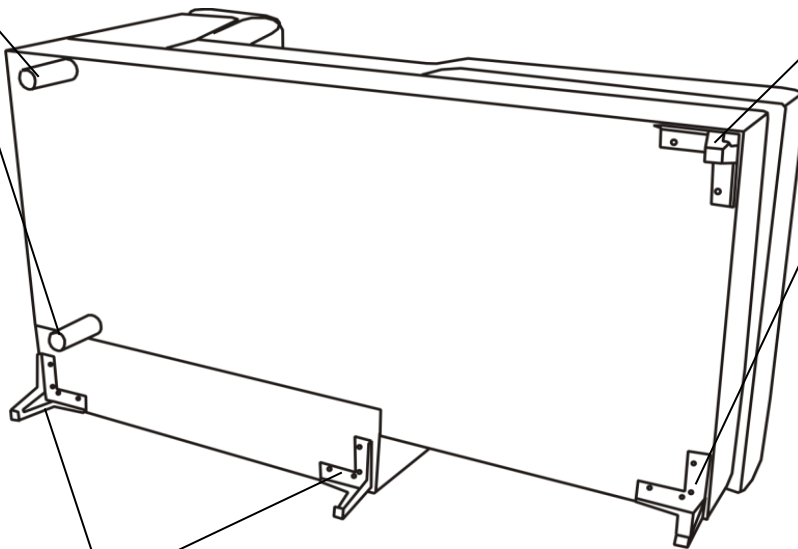
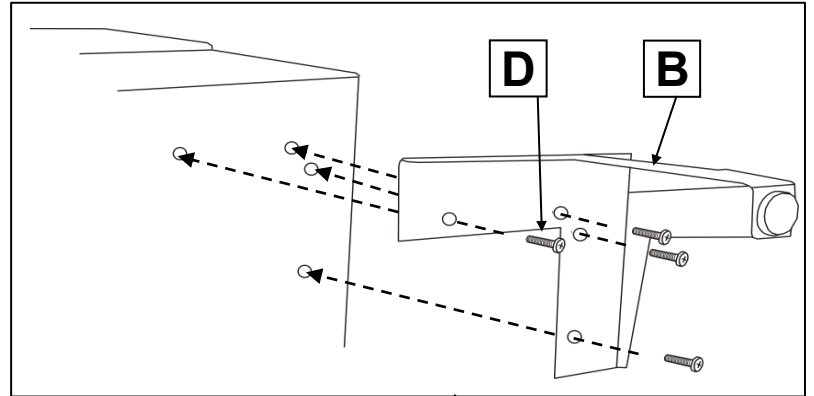
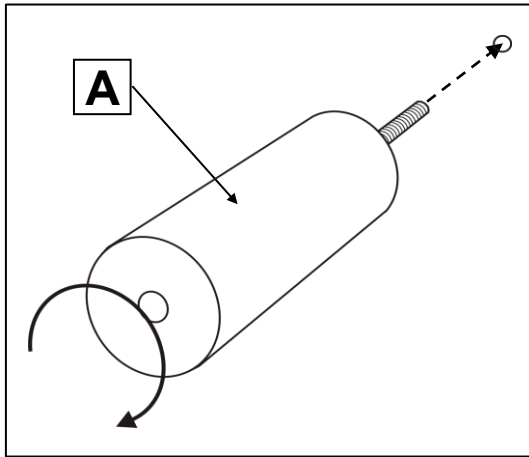
x8

**A**

**B**

**C**

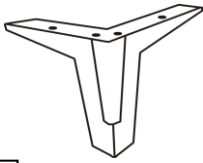
**D**



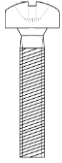
# ASPEN OBKL



x2



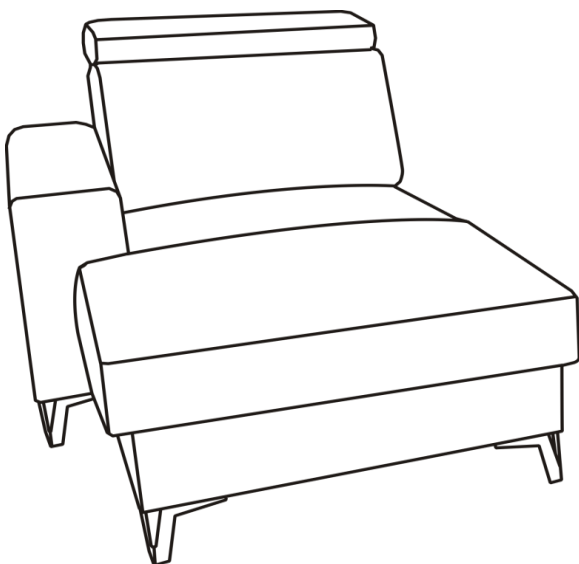
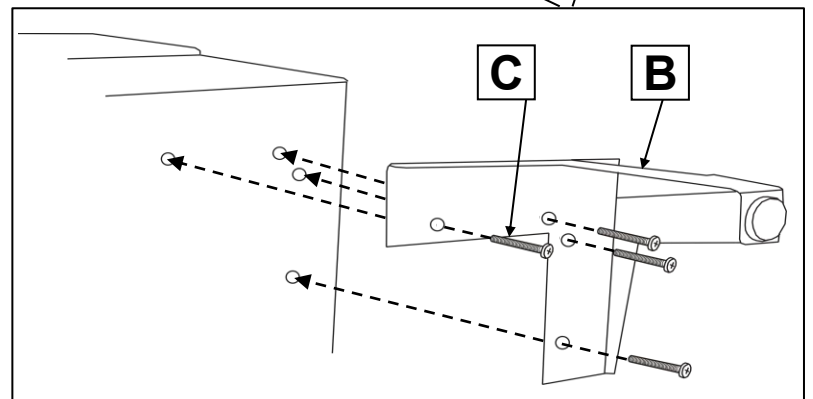
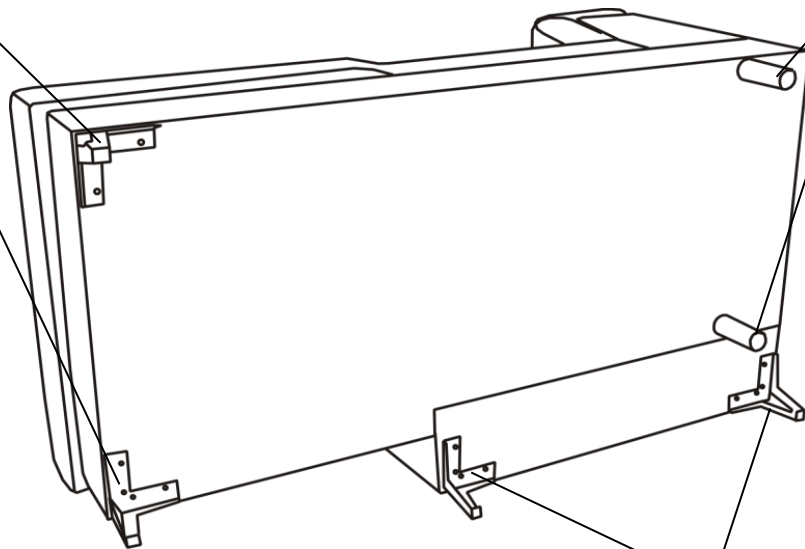
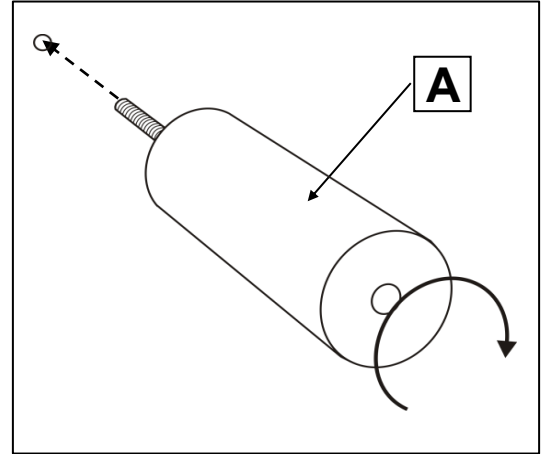
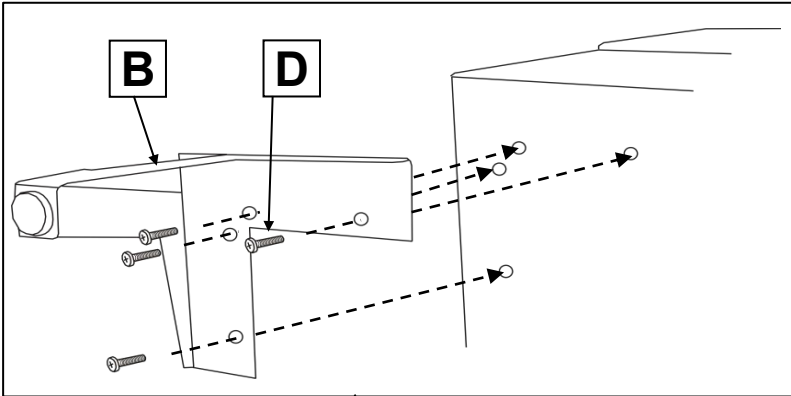
x4



x8



x8

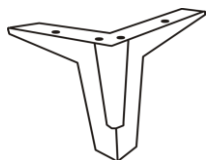




# ASPEN 1HOBKR



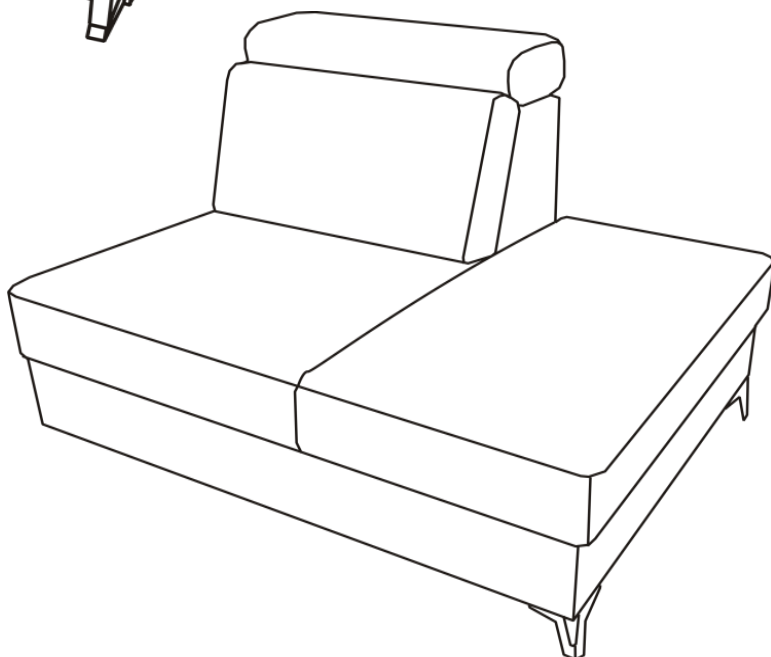
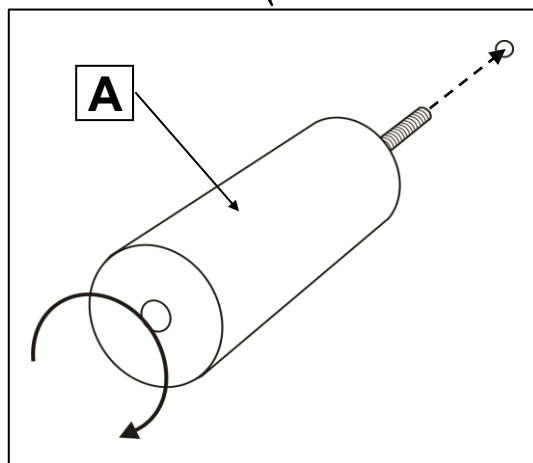
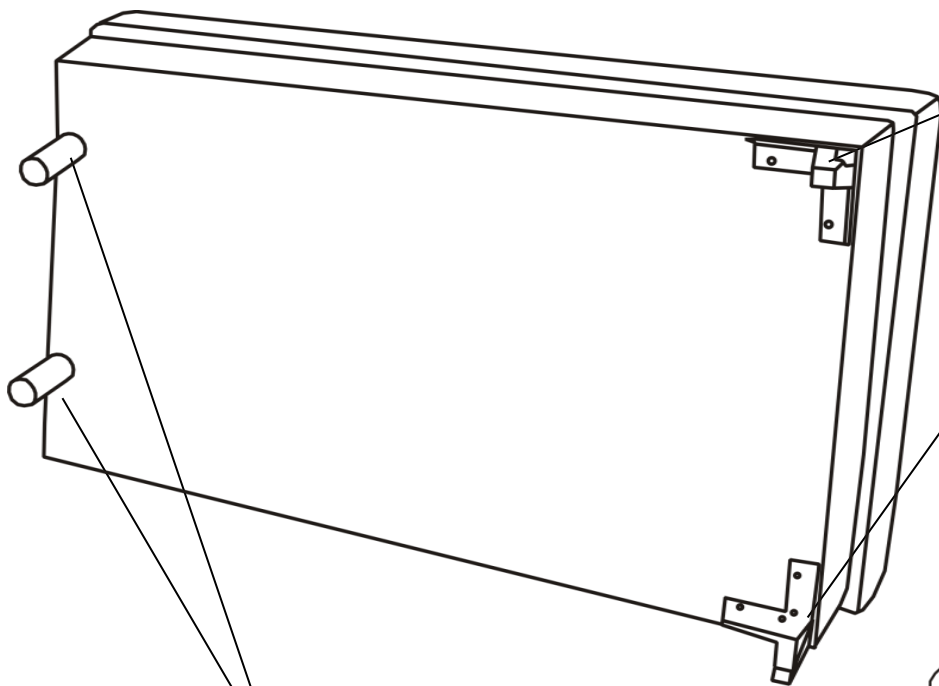
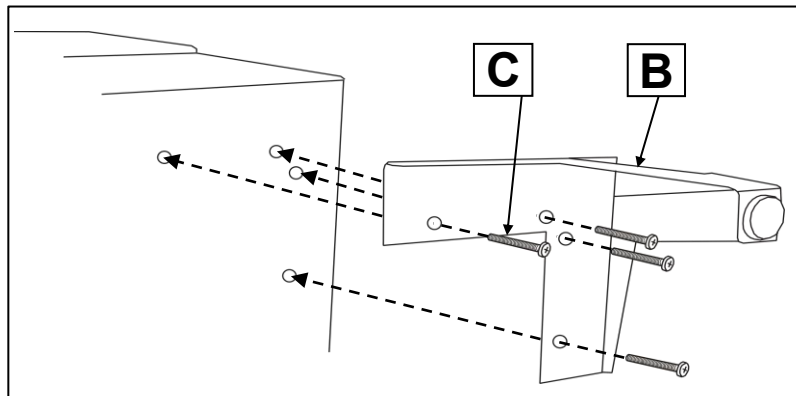
x2



x2



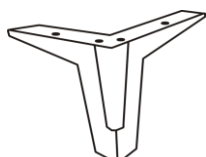
x8



# ASPEN 1HOBKL



x2



x2

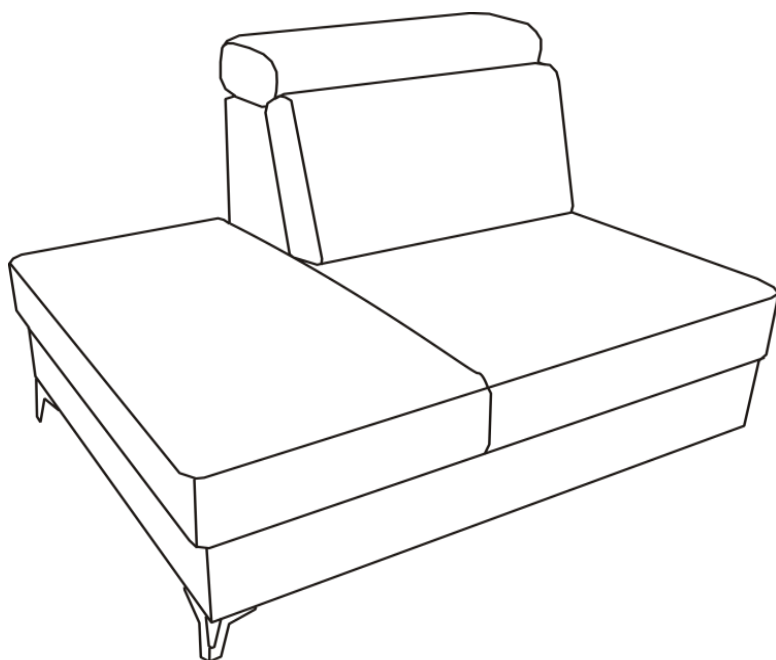
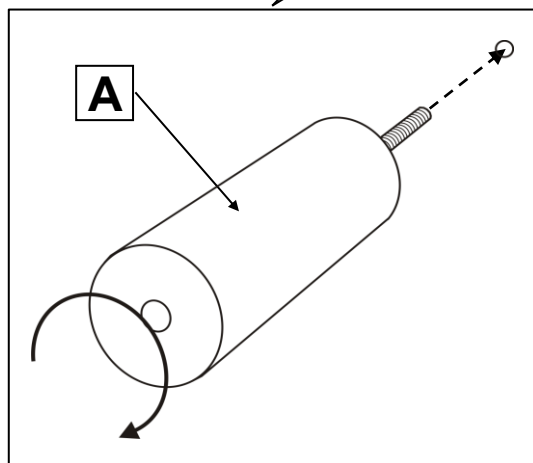
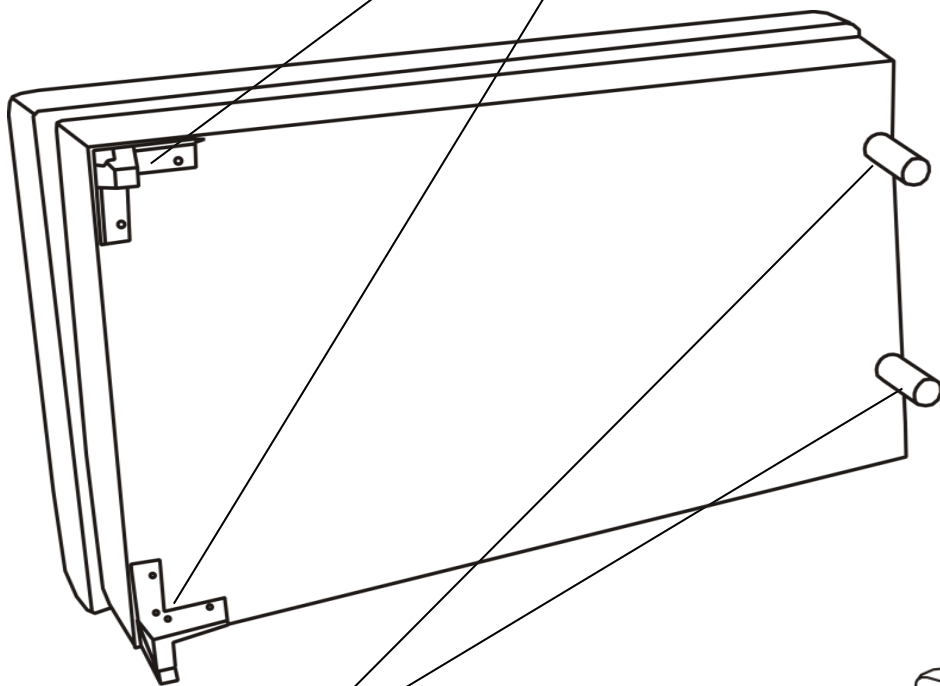
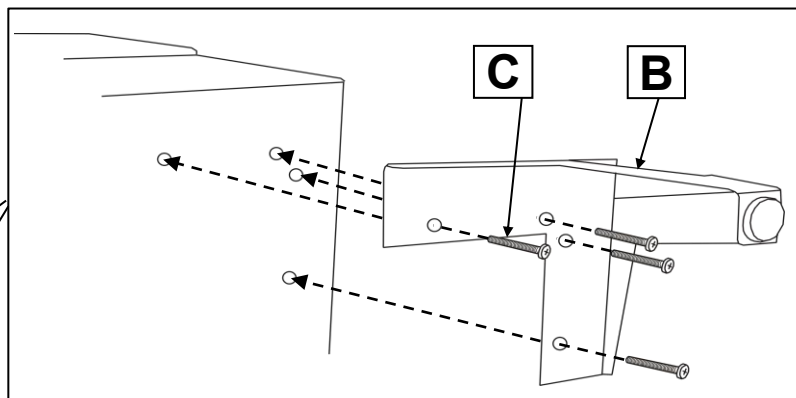


x8

**A**

**B**

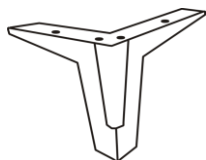
**C**



# ASPEN HO70



x2



x2

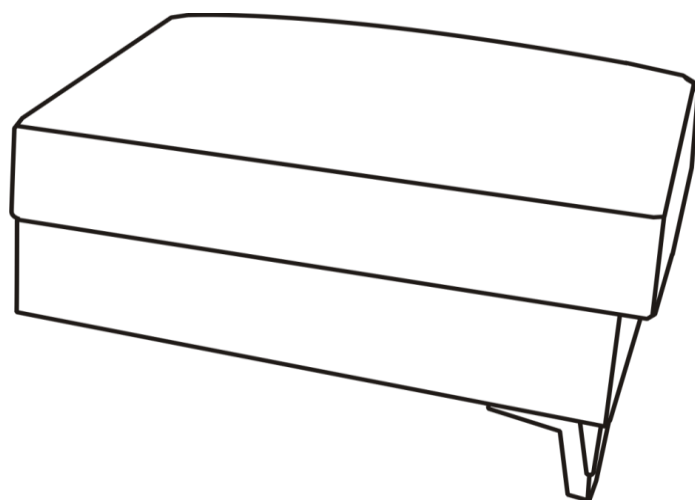
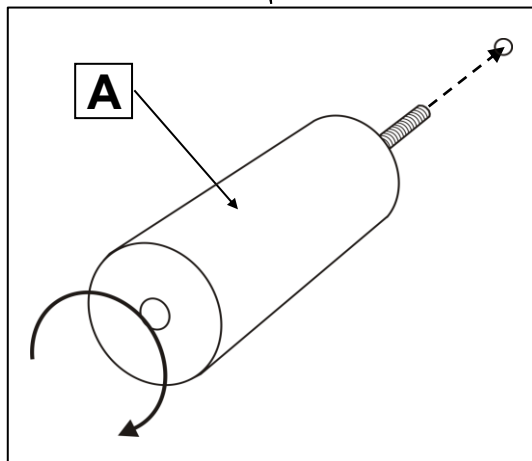
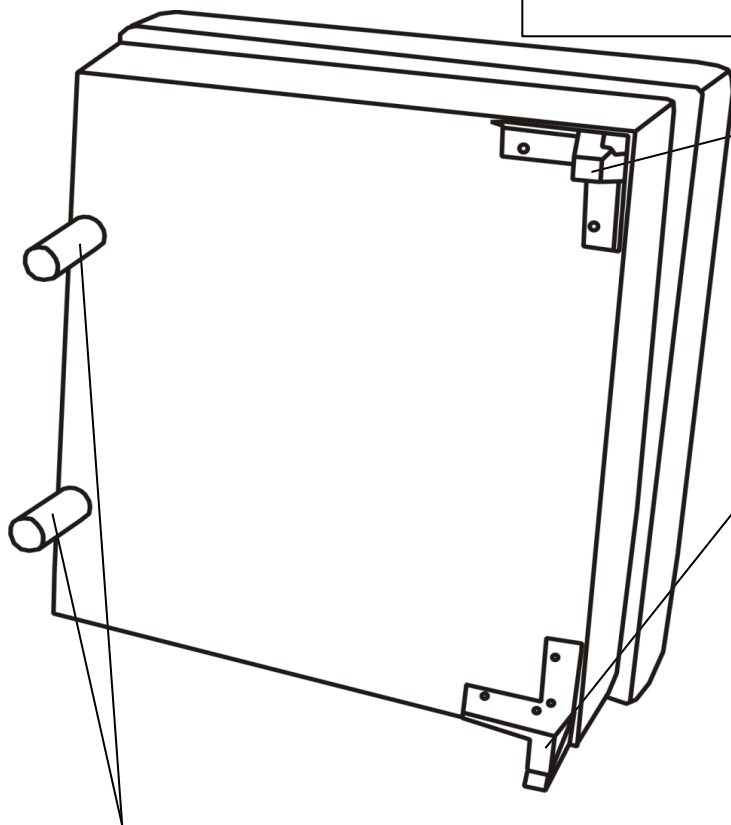
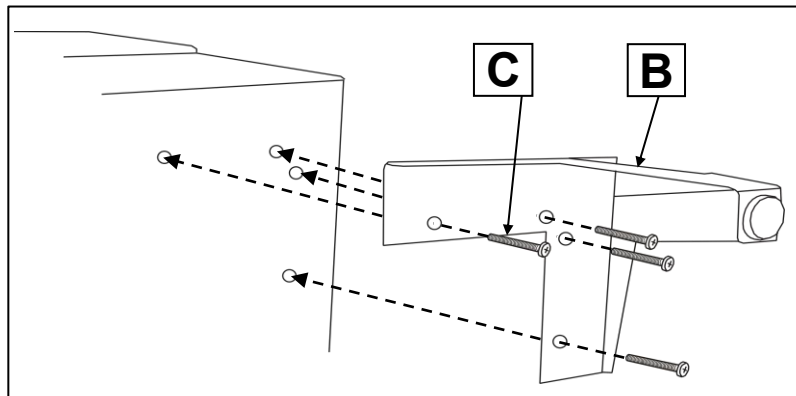


x8

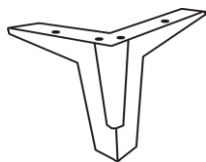
**A**

**B**

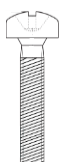
**C**



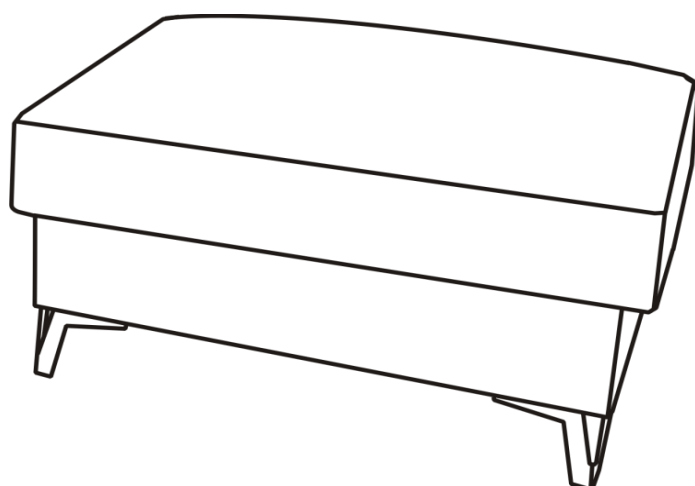
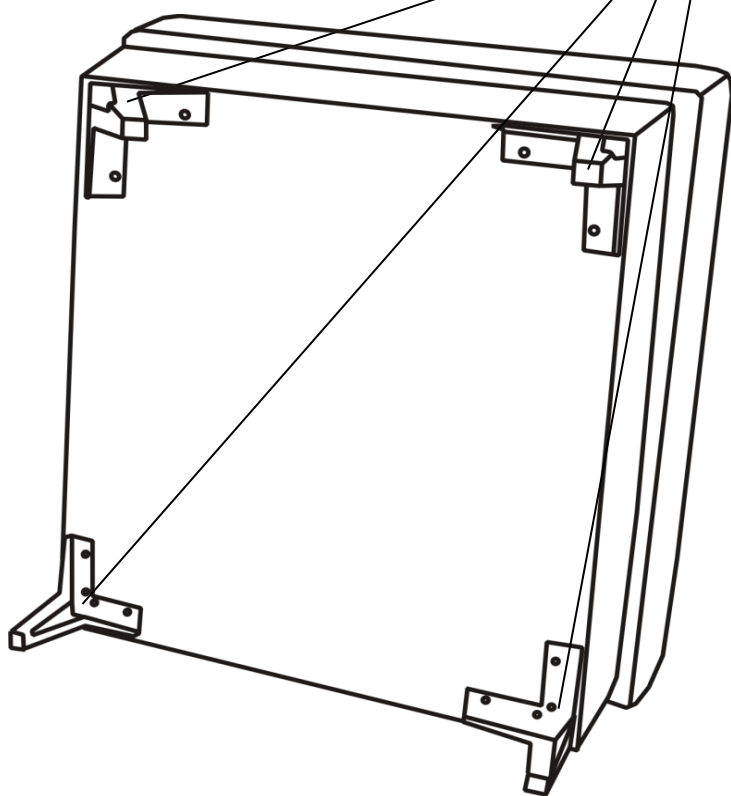
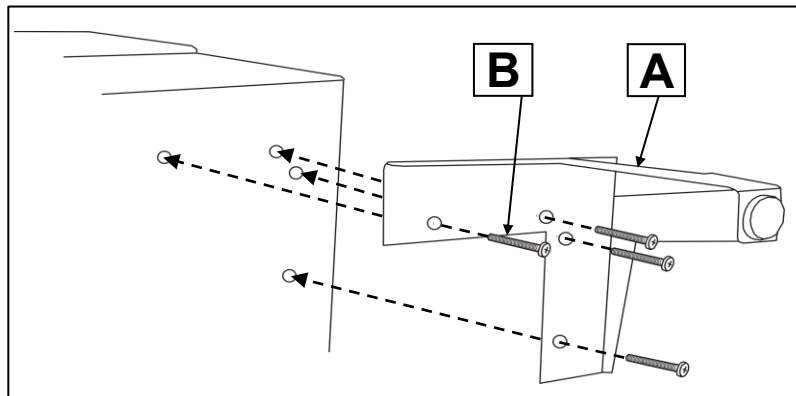
# ASPEN HO



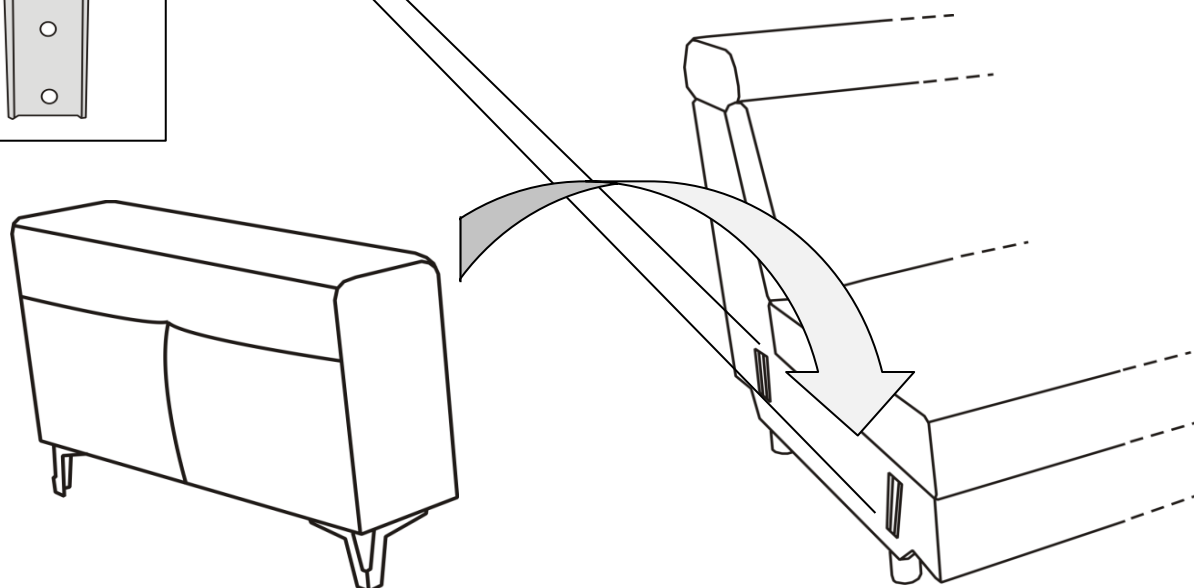
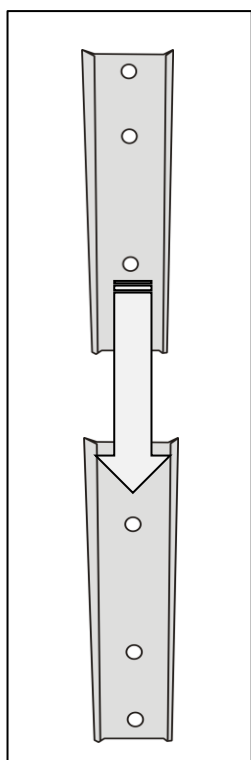
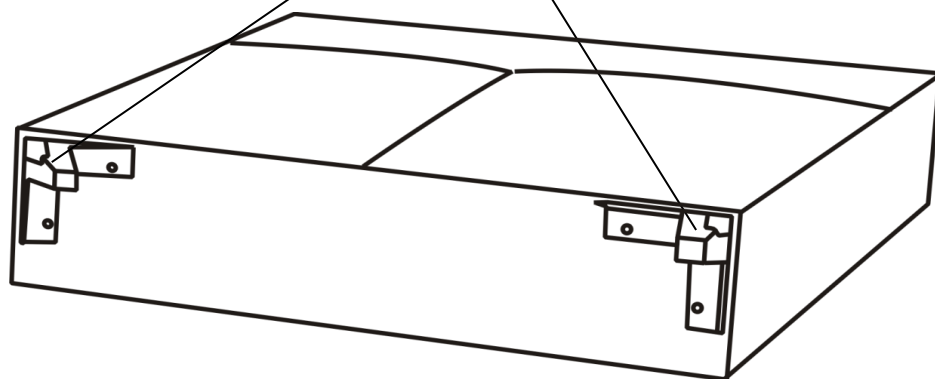
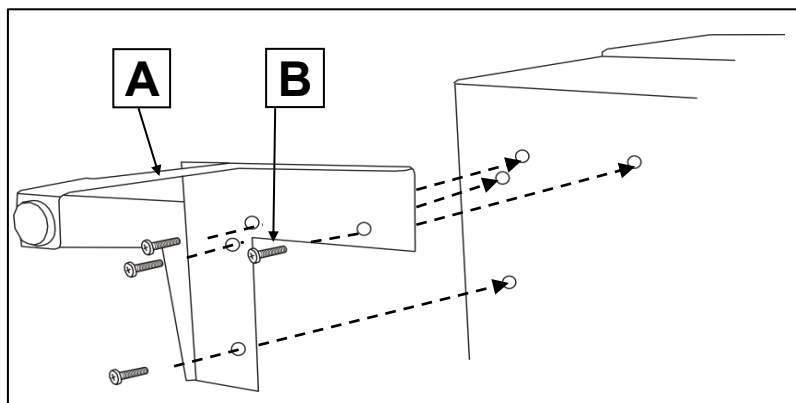
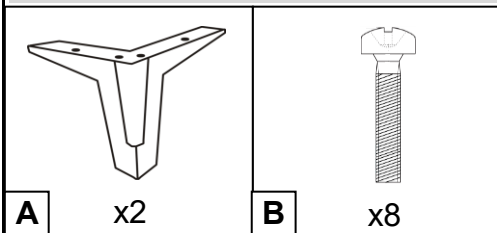
**A** x4



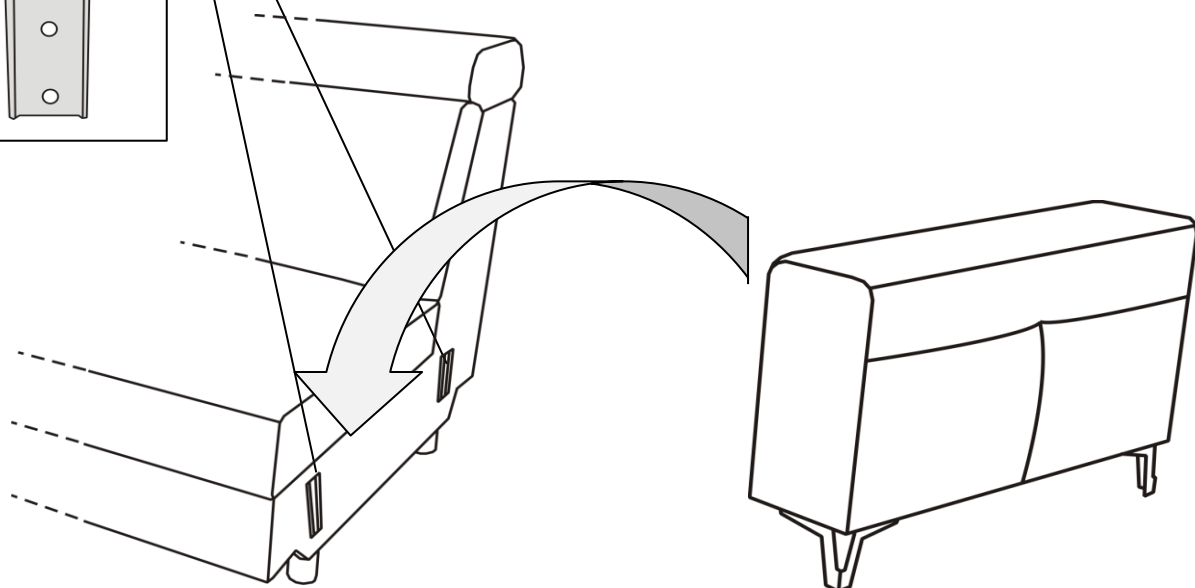
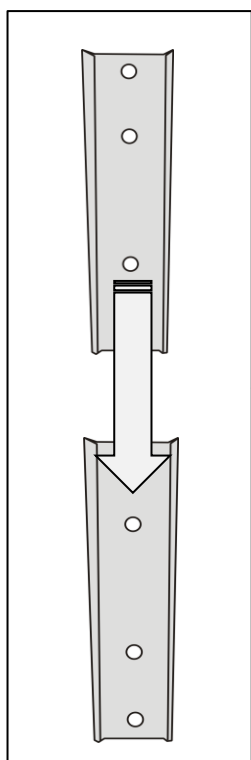
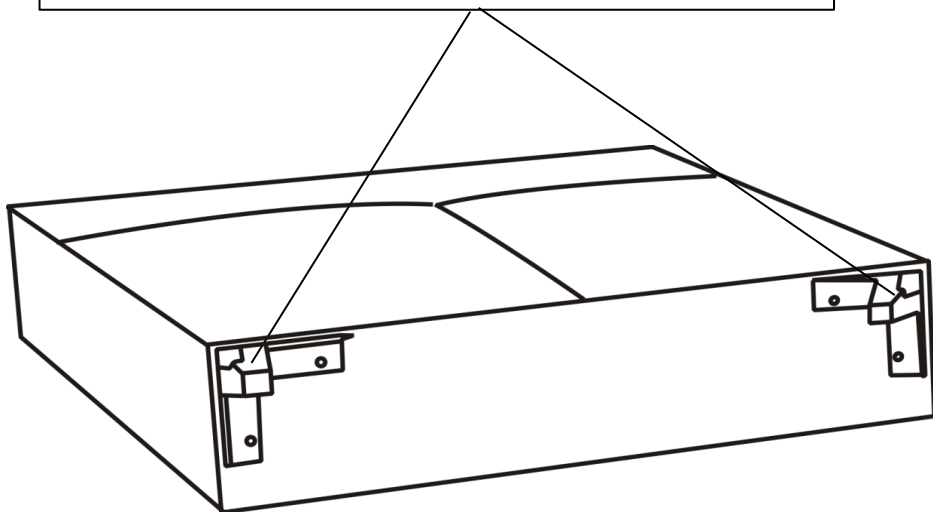
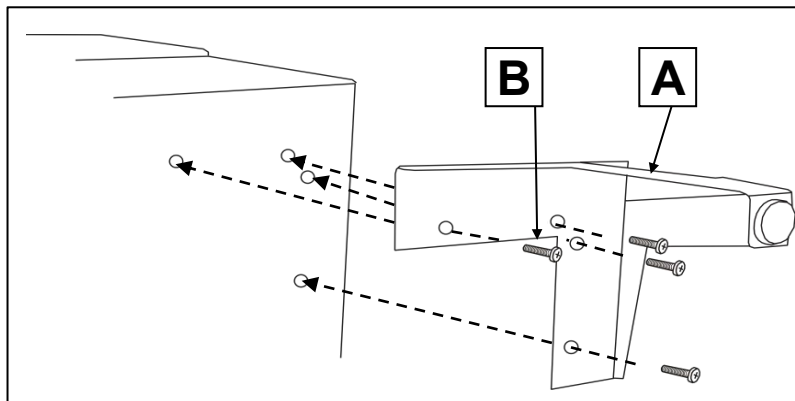
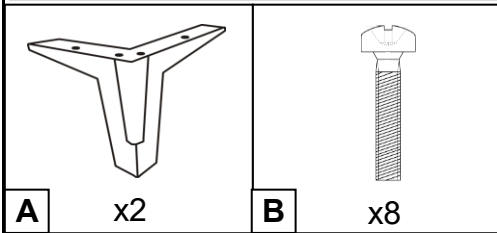
**B** x16



# ASPEN PKL



# ASPEN PKR



# ASPEN

