
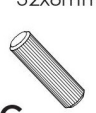

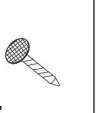


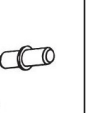
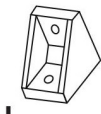

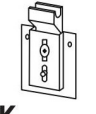

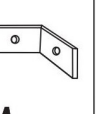

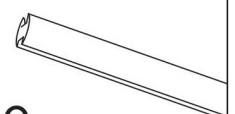
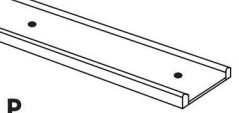
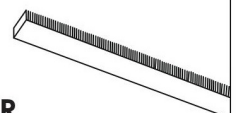
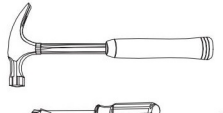
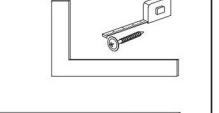


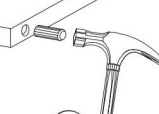

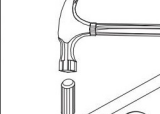
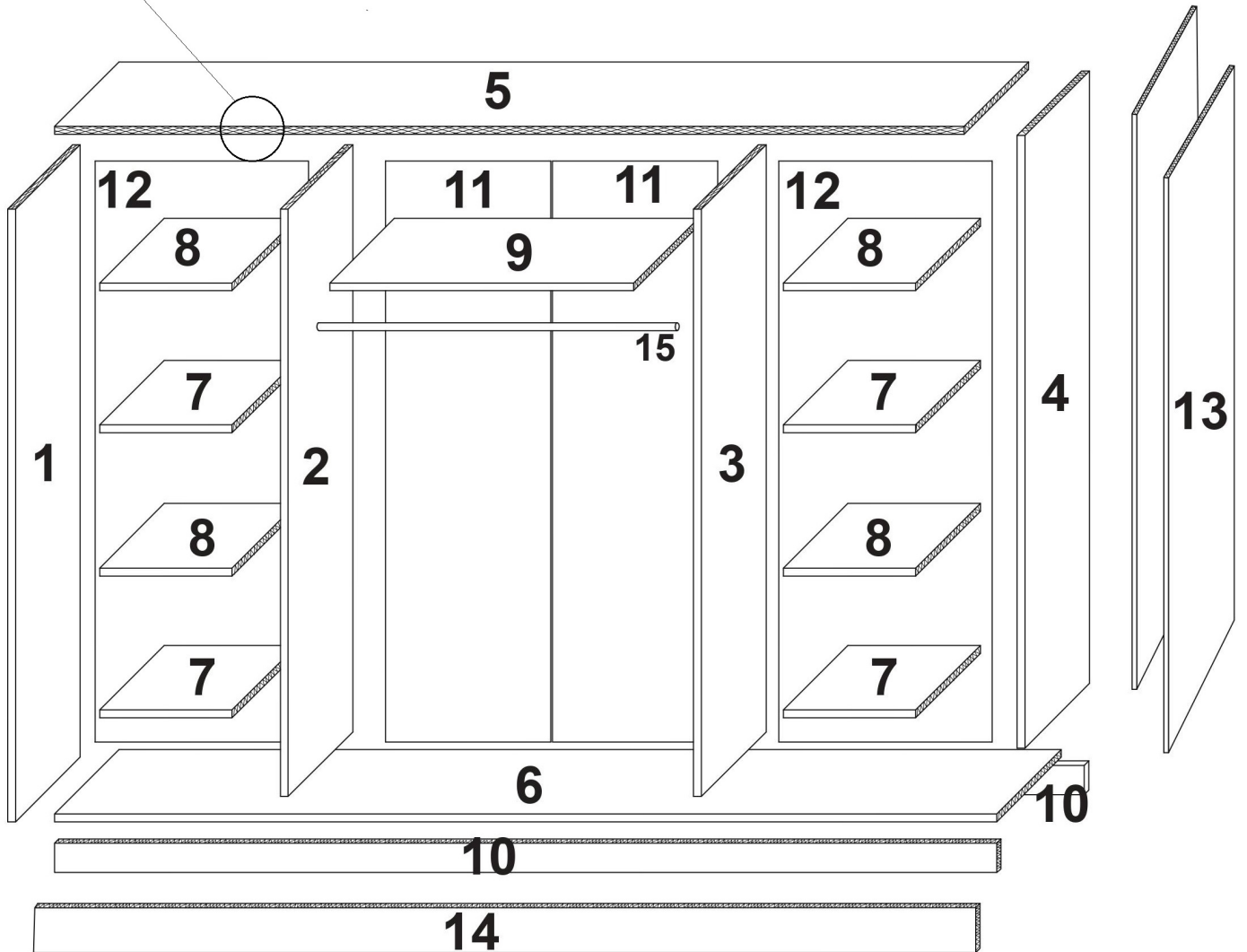
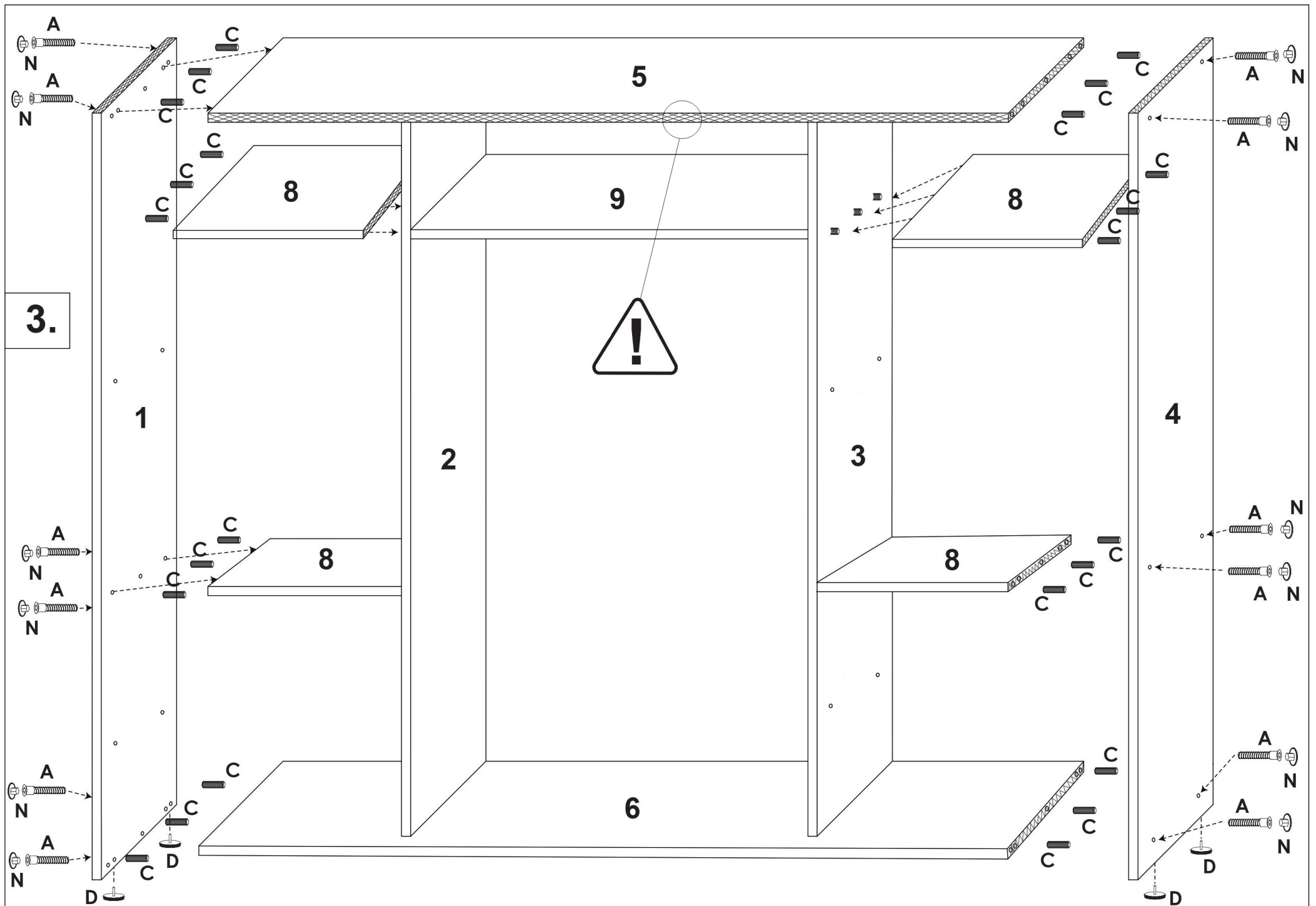
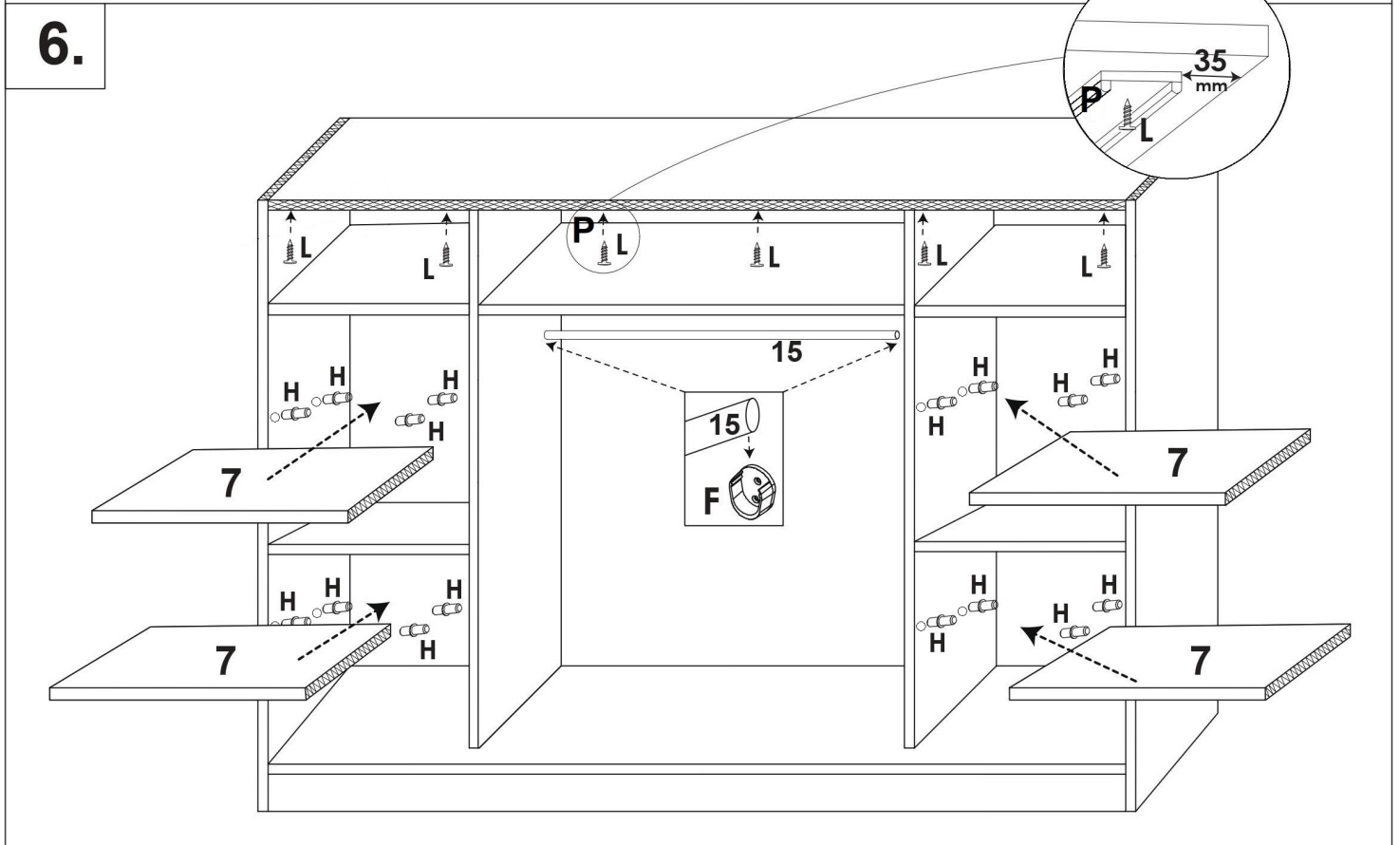
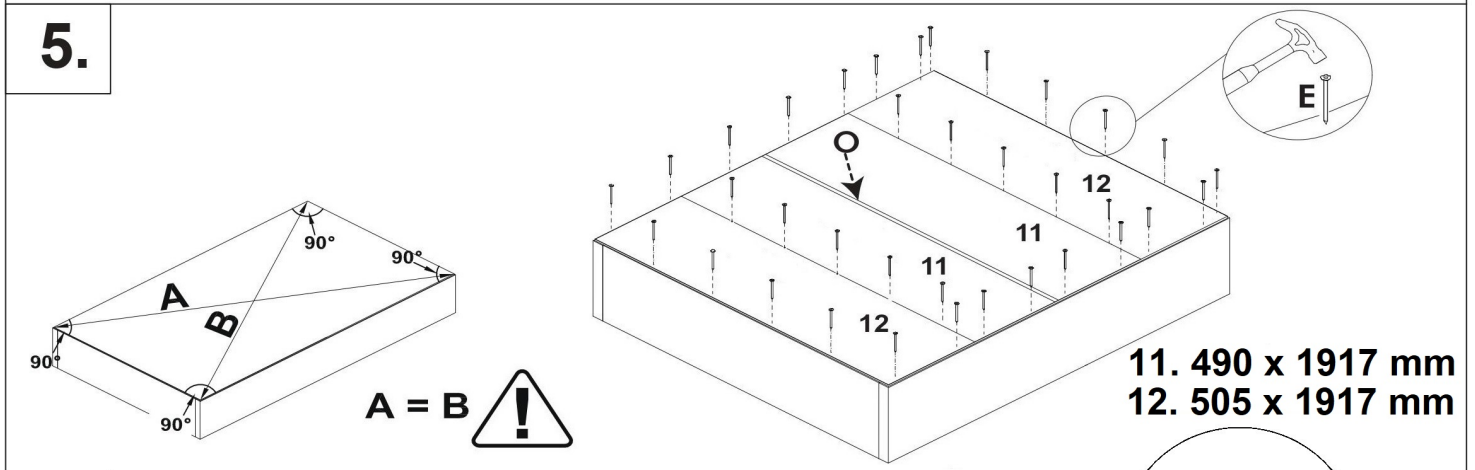
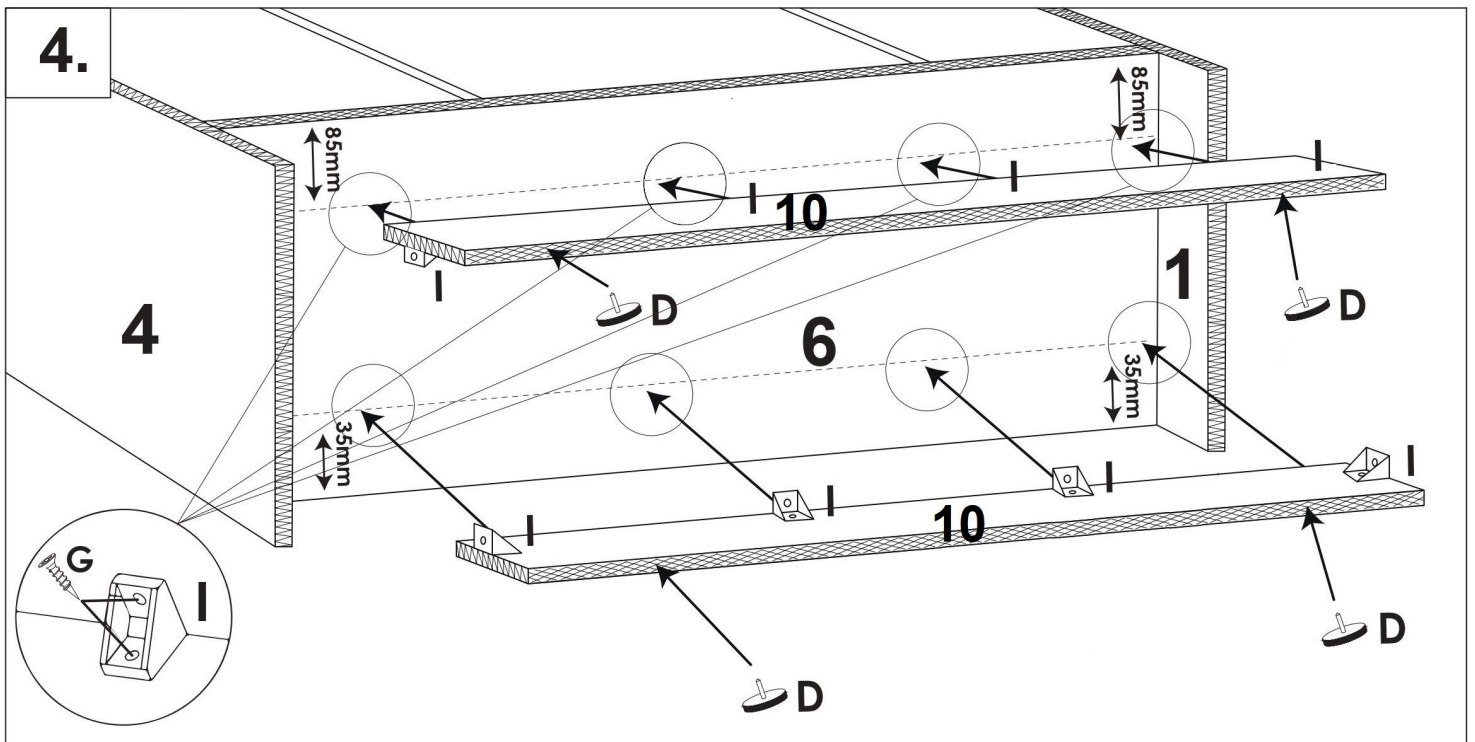
 A	 B 55x8mm	 C 32x8mm	 D	 E	 F	 G 4.0x13mm	 H
x28	x6	x42	x8	x100-110	x2	x60	x16
 I	 J	 K	 L 4.2x13mm	 M	 N	 O	
x8	x4	x4	x12	x6	x20		x1
 P	 R						
x2	x4						
 x1	 ☹️	 😊	 ☹️	 😊			

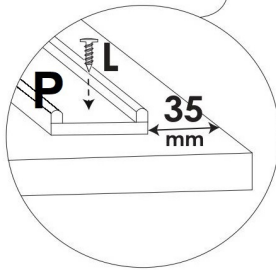
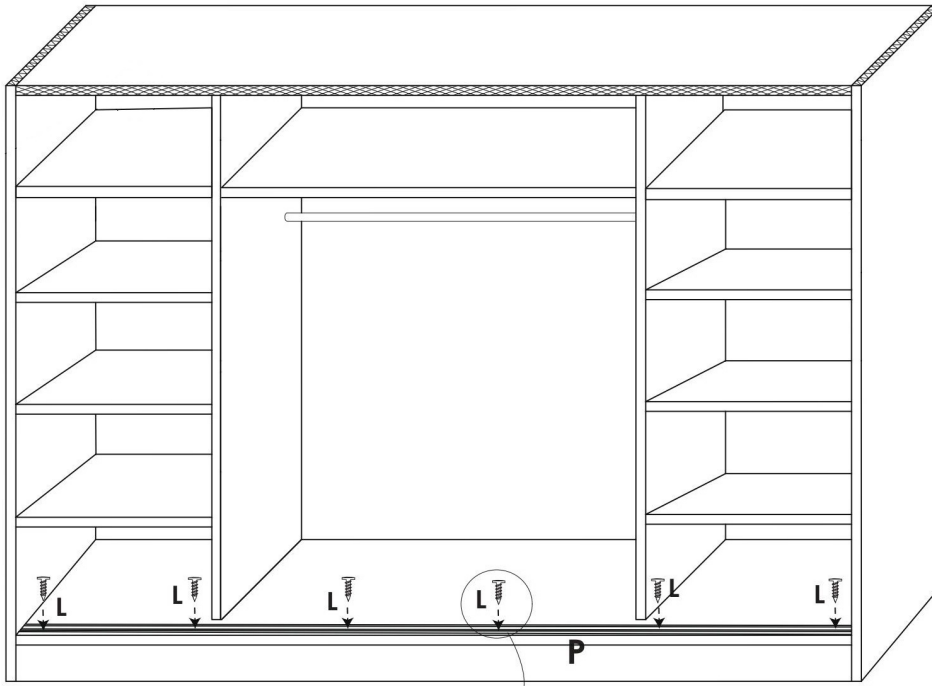
200 - T/A



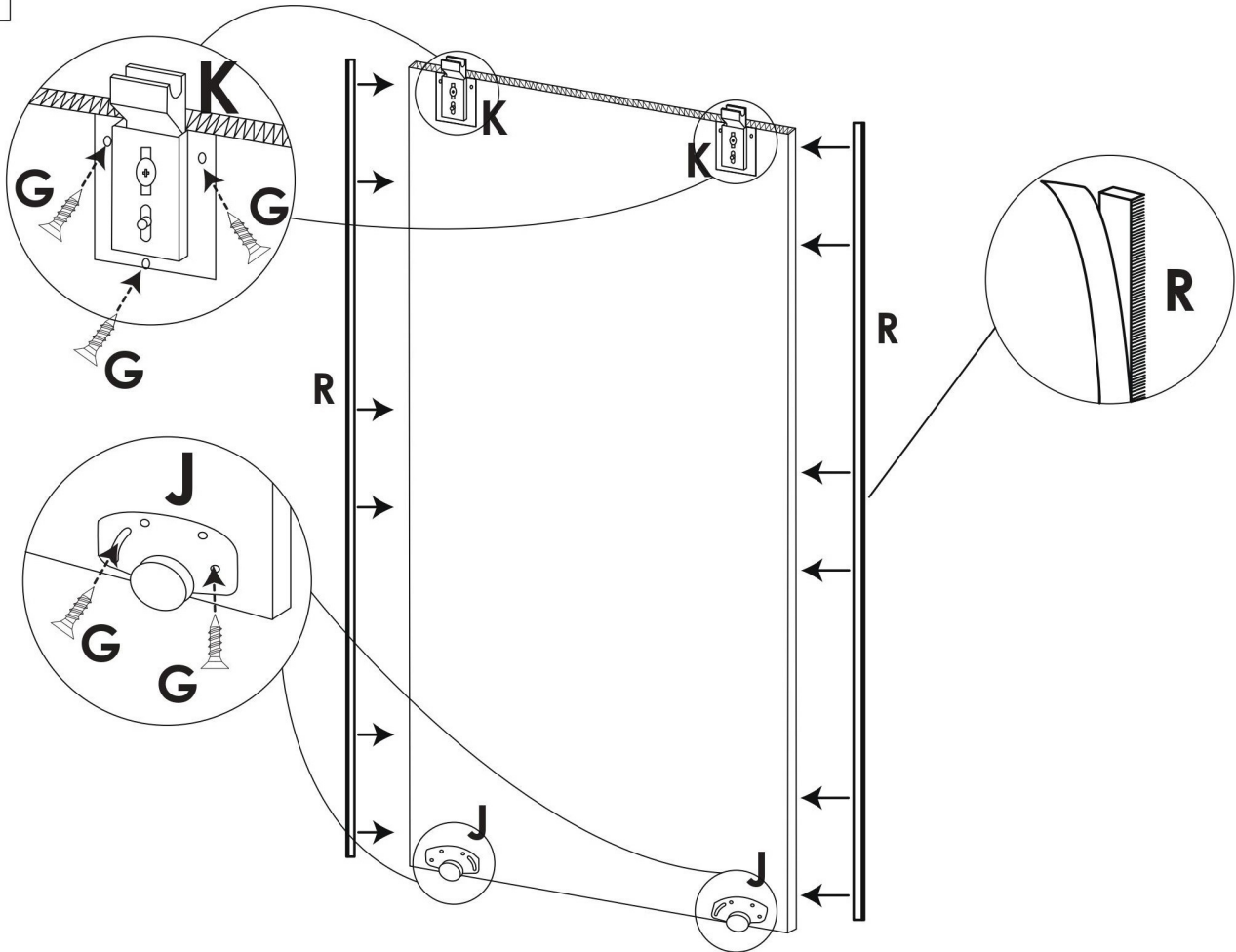




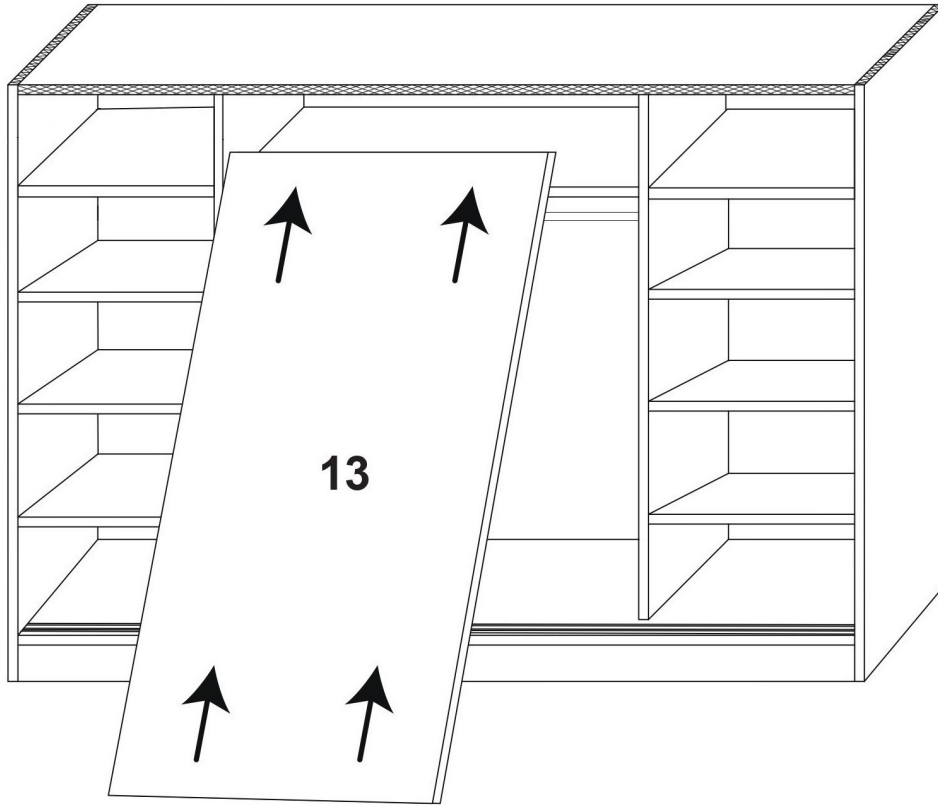
7.



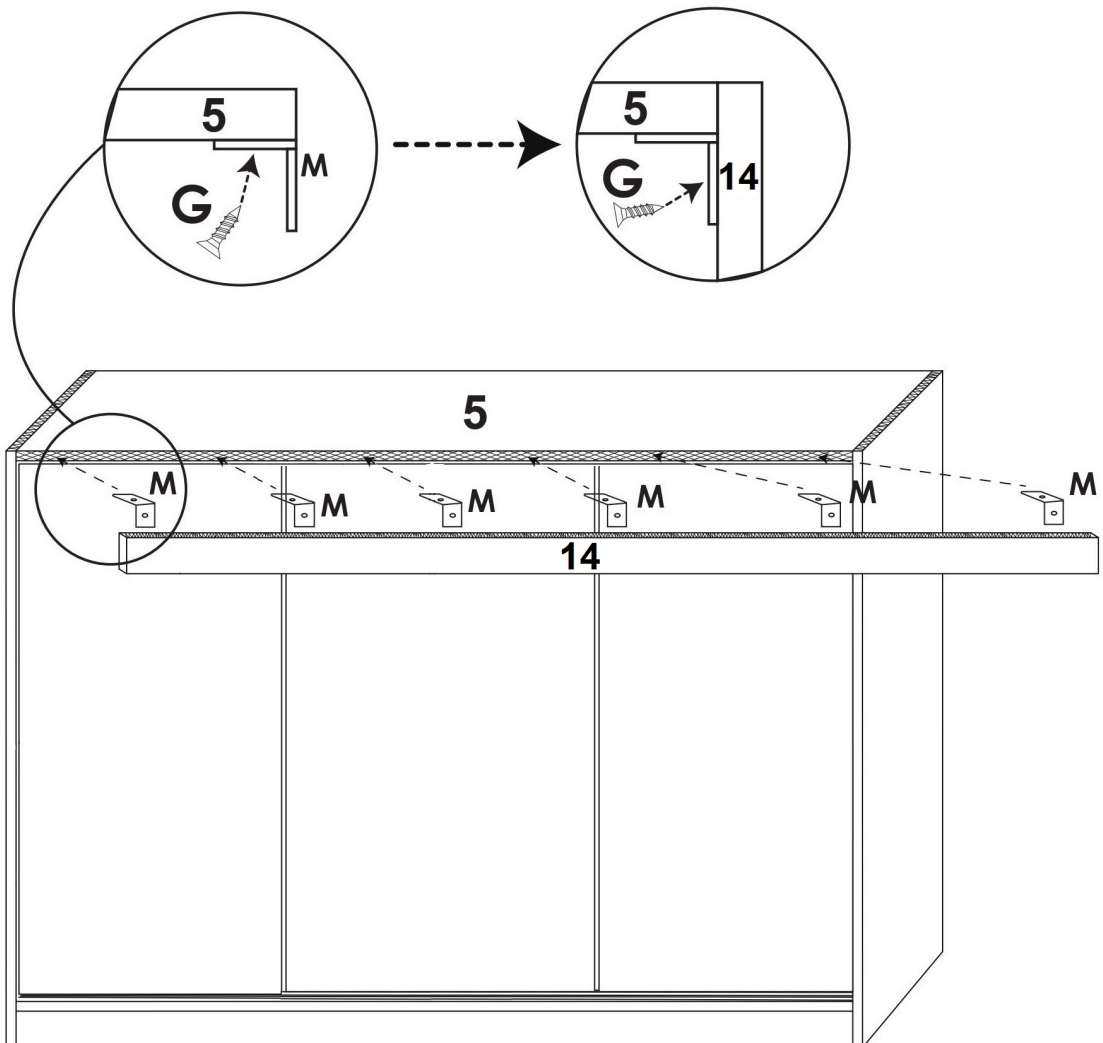
8.



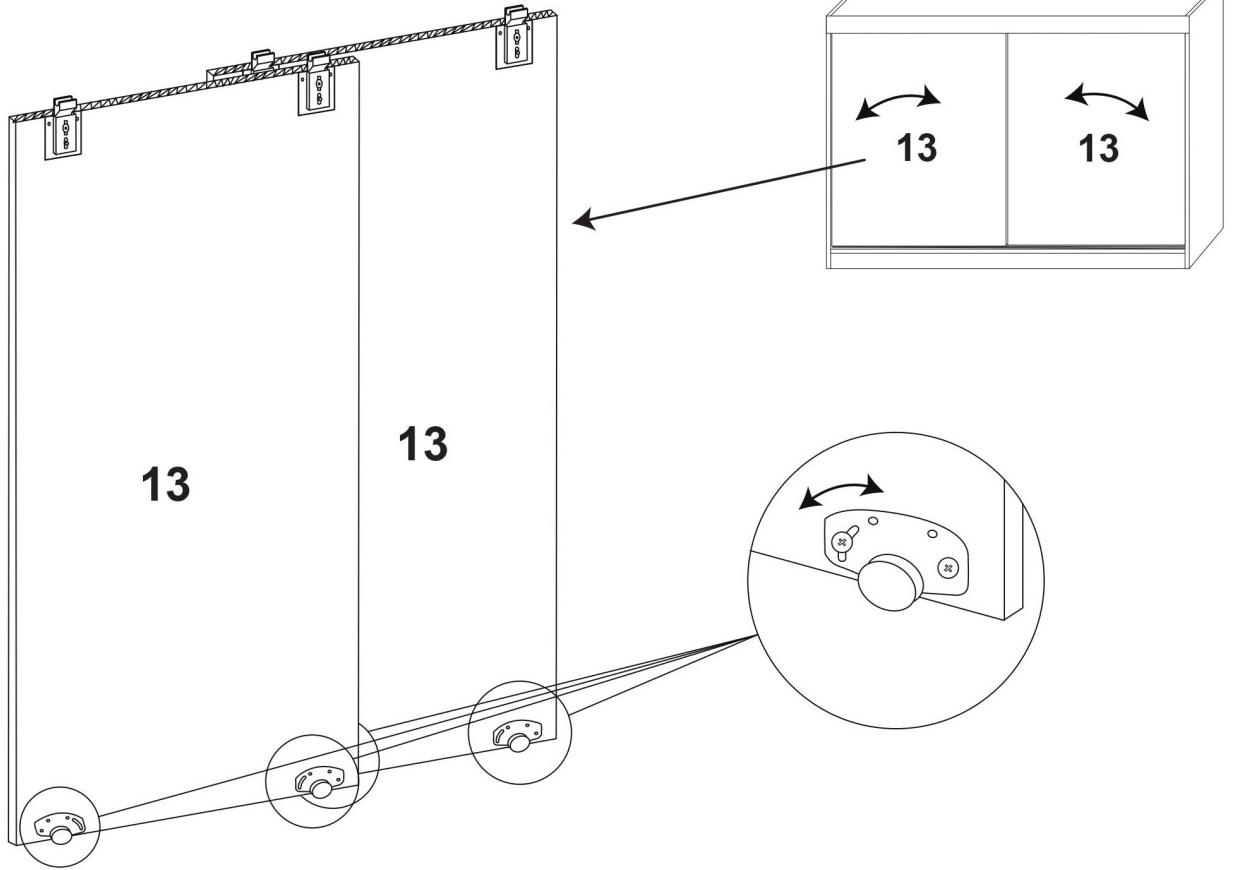
9.



10.



11.



12.

