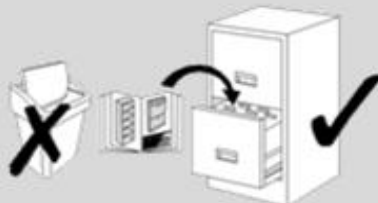
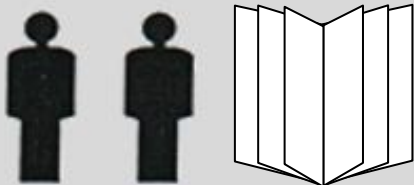
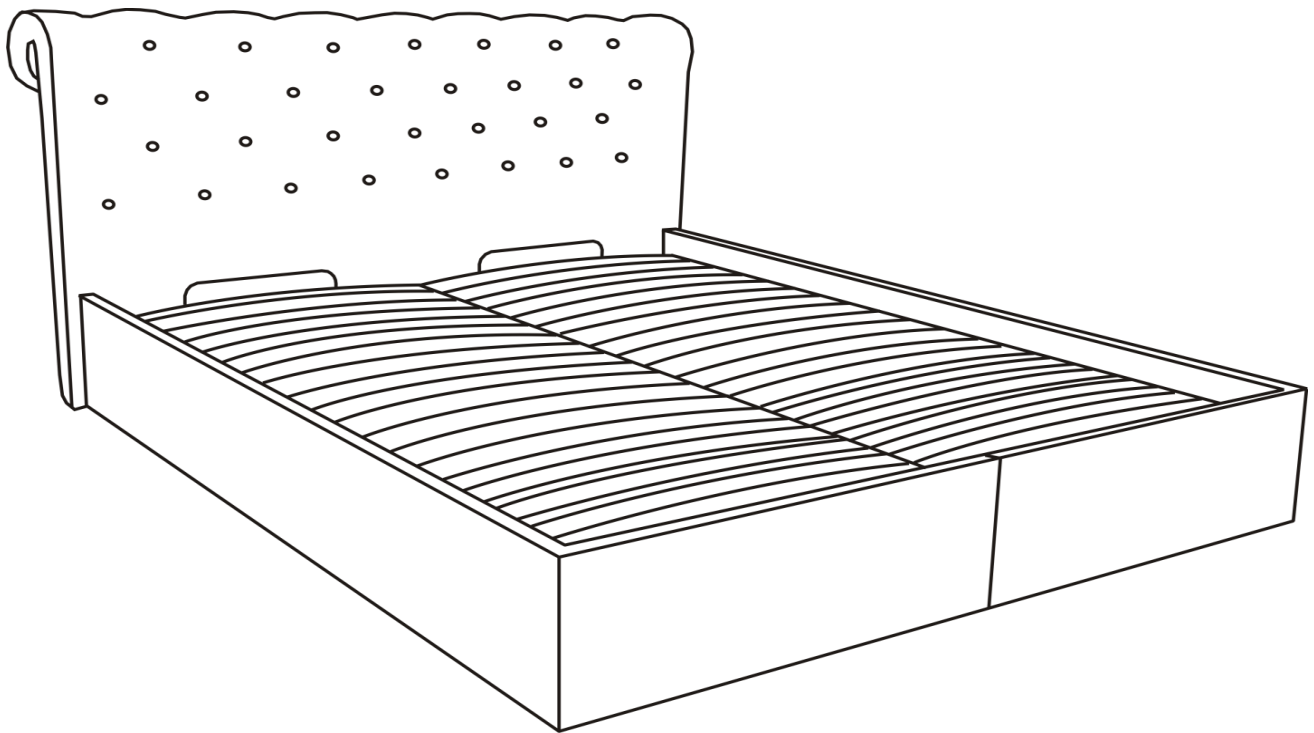
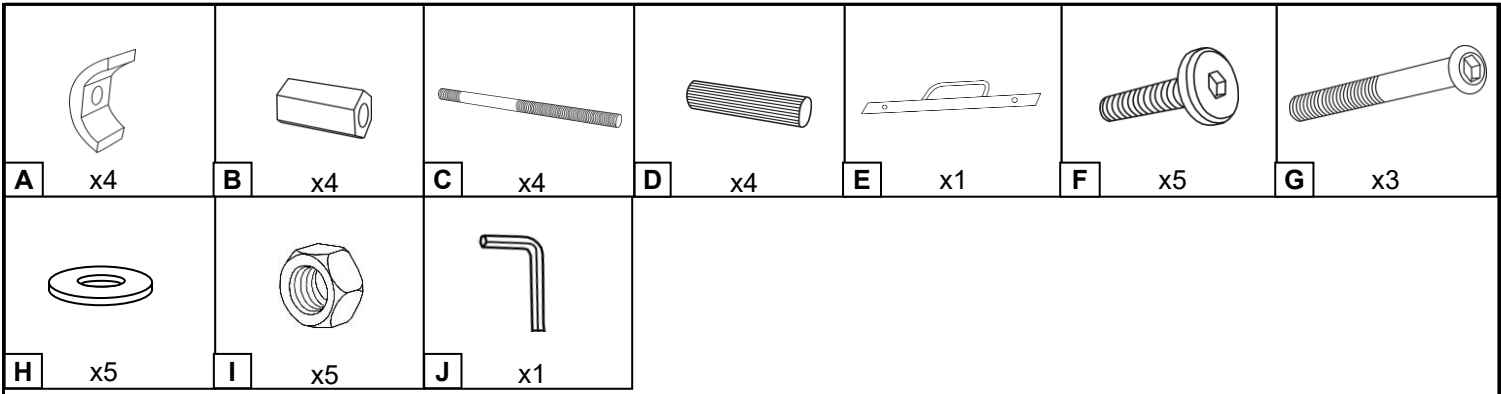
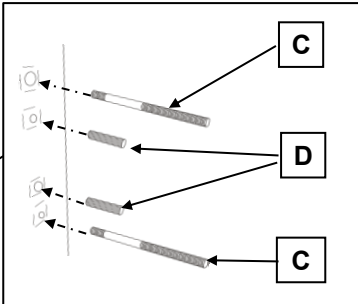
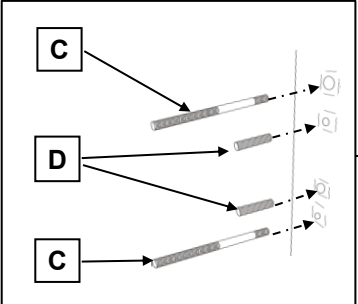
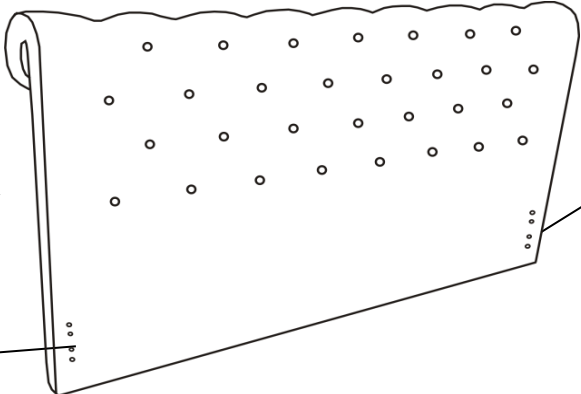


LORD LSBK140

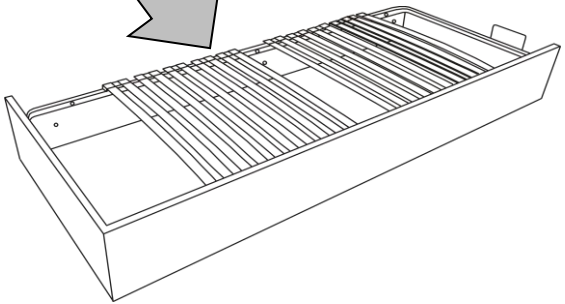
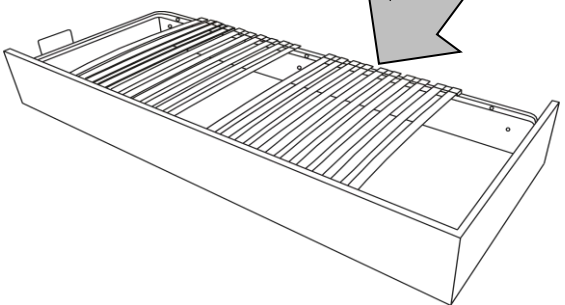
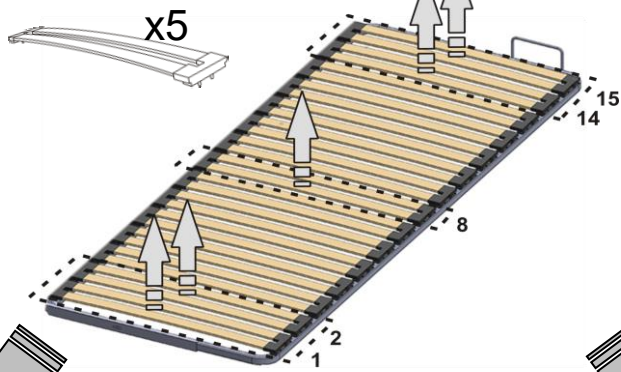
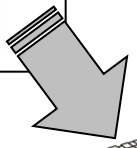
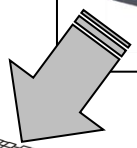
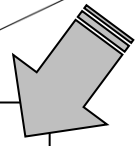
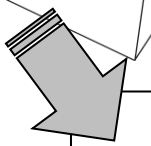
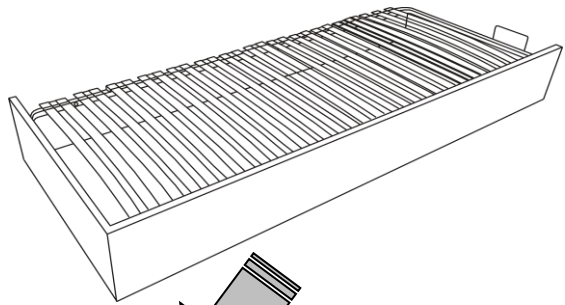
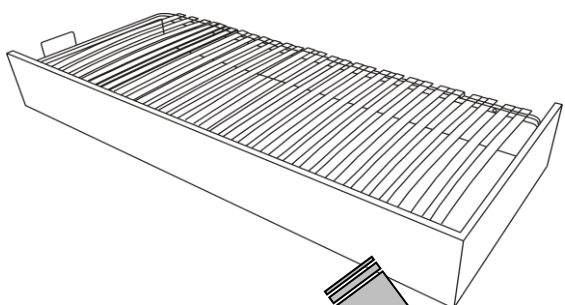


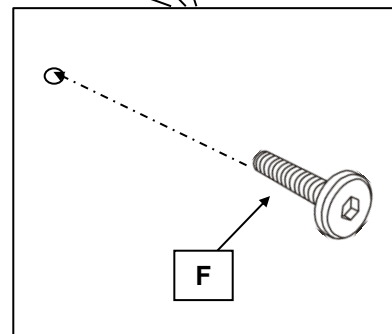
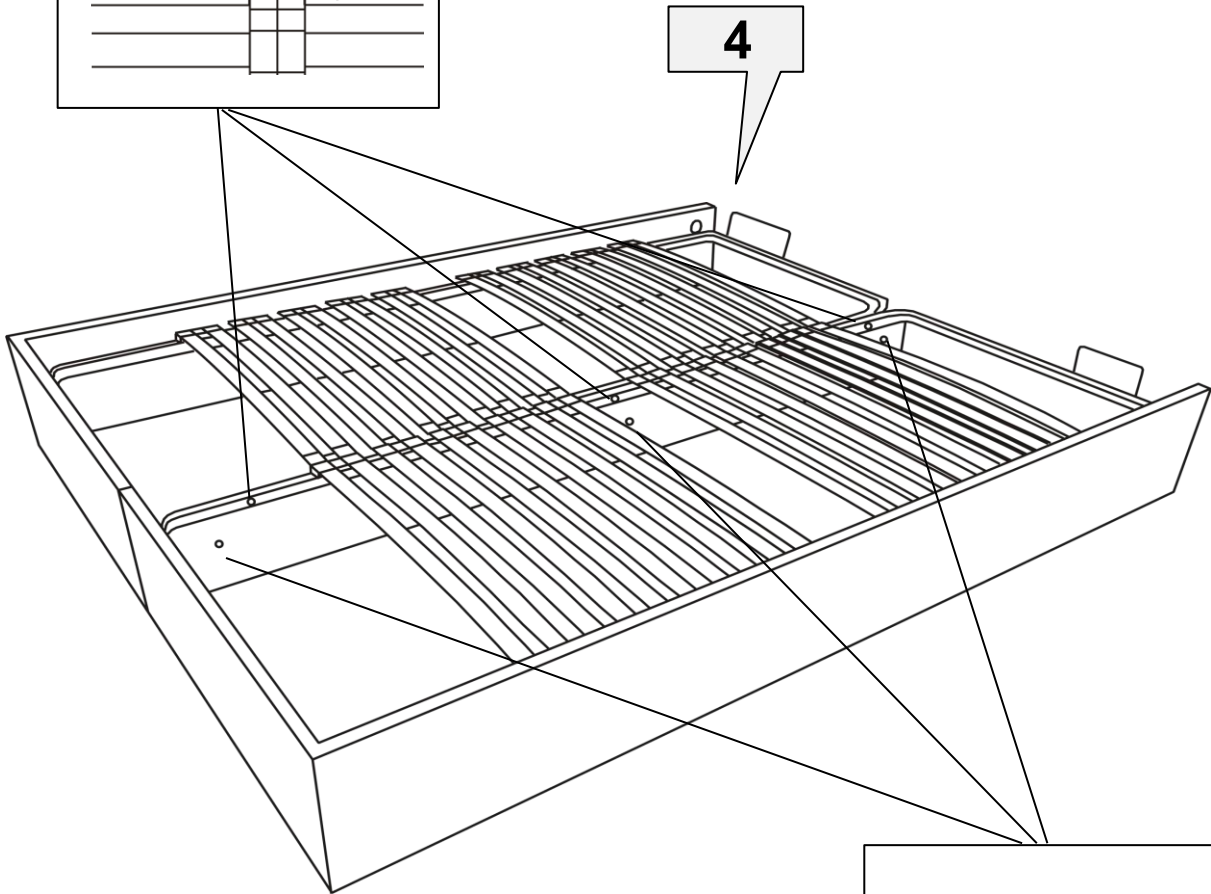
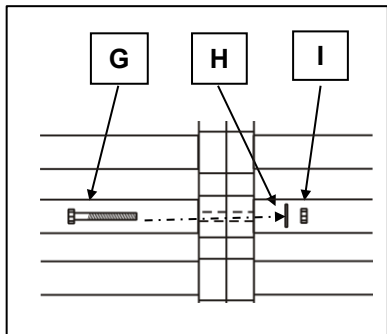
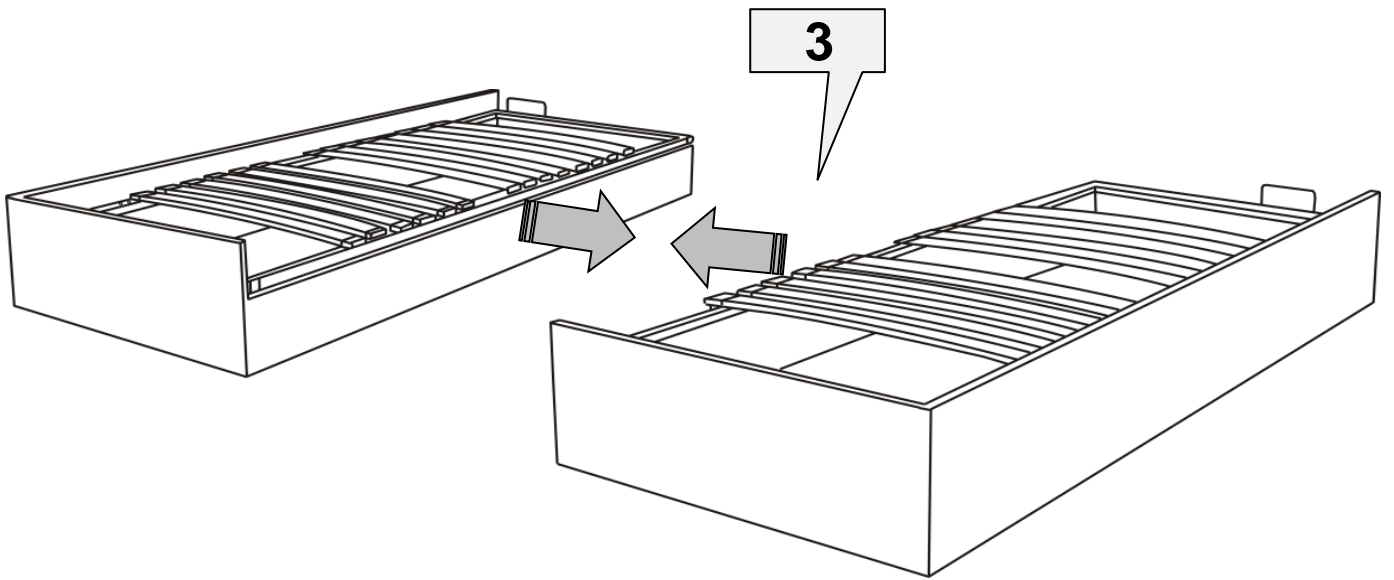


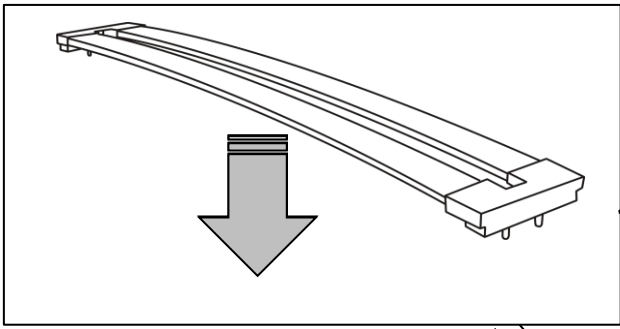
1



2

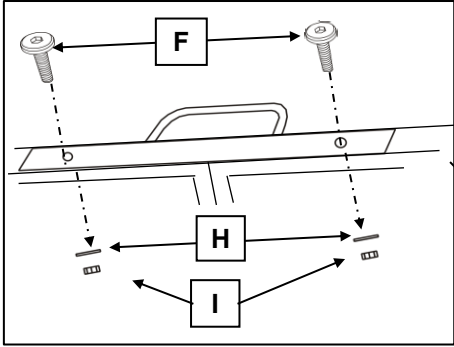
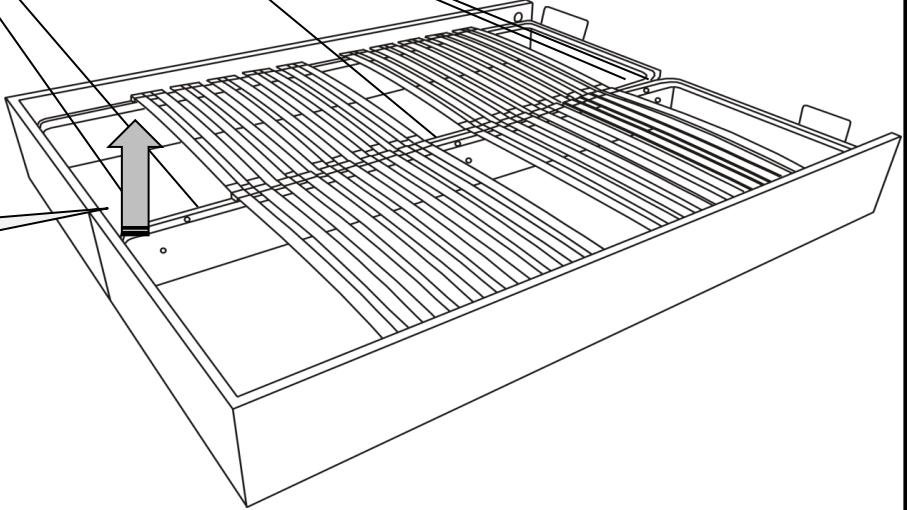






5

6



7

E

