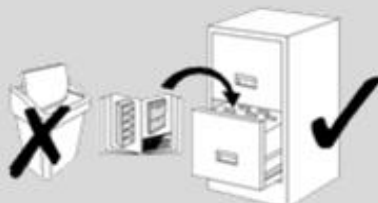
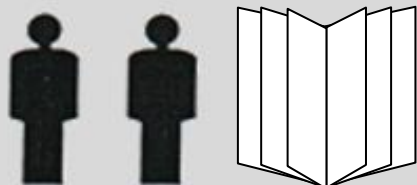
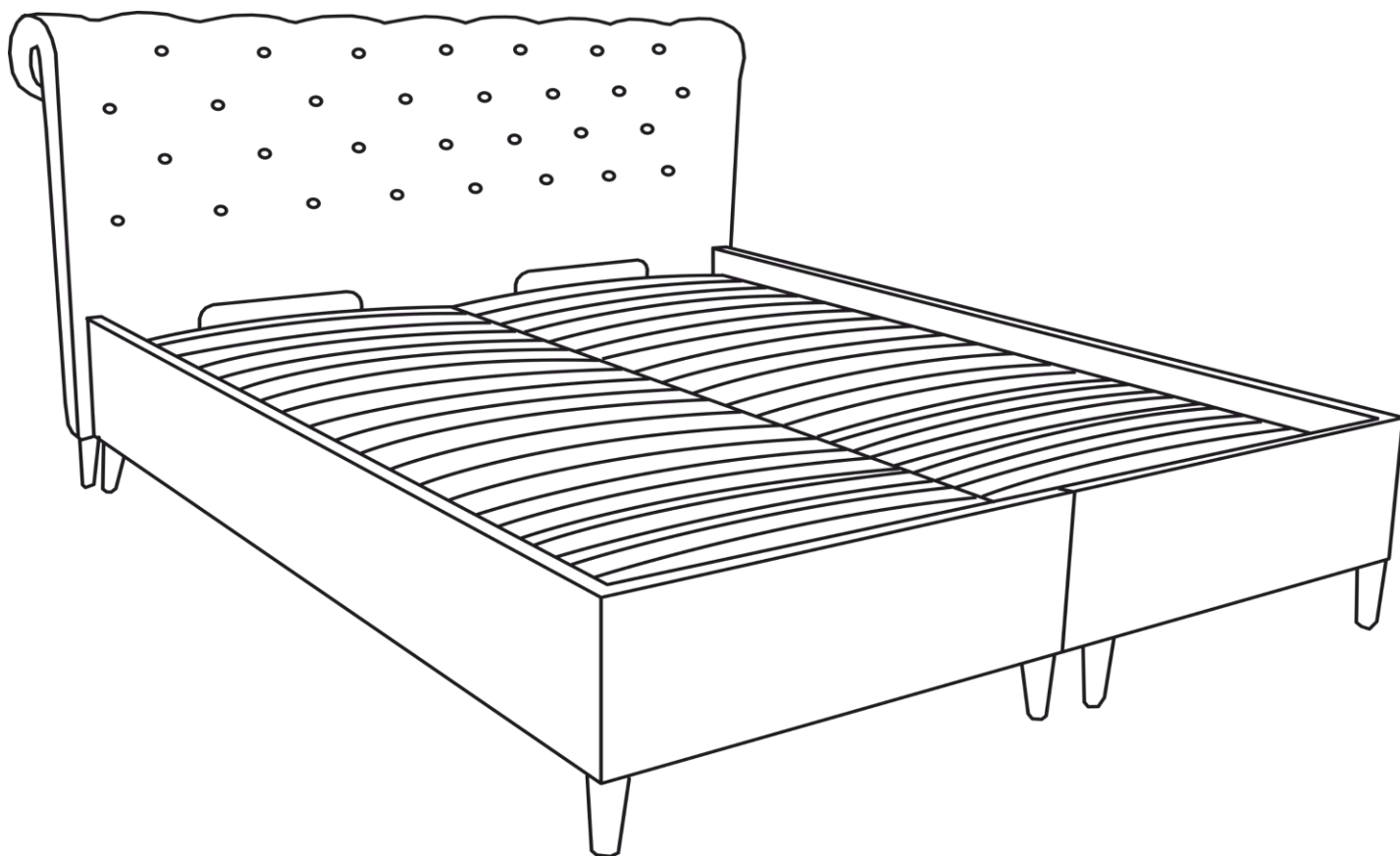





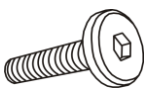
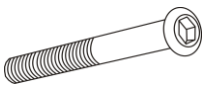
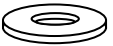
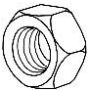



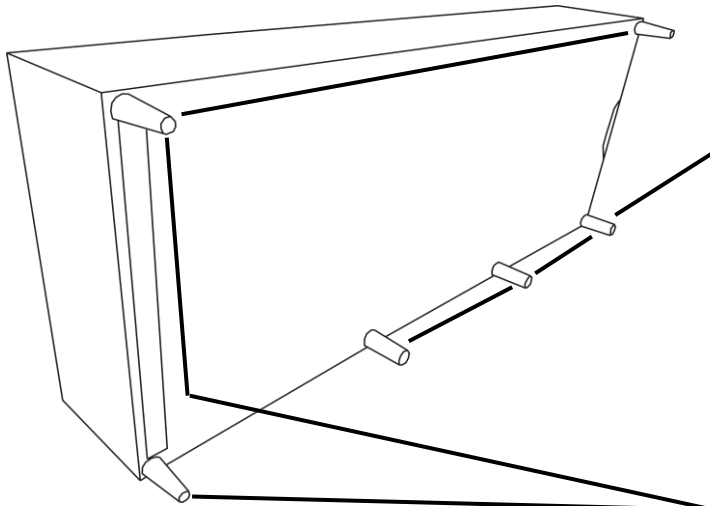


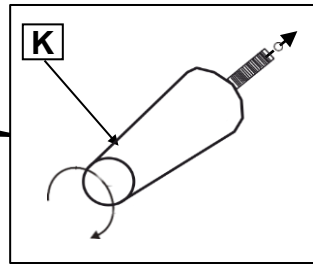
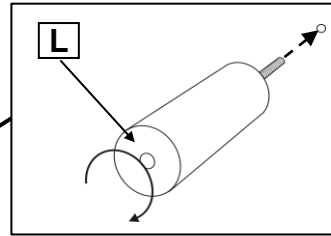
LORD.high LSBK160



| | | | | | | |
|---|--|--|--|---|---|---|
|  A x4 |  B x4 |  C x4 |  D x4 |  E x1 |  F x5 |  G x3 |
|  H x5 |  I x5 |  J x1 |  K x8 |  L x6 | | |

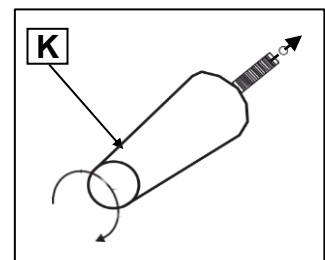
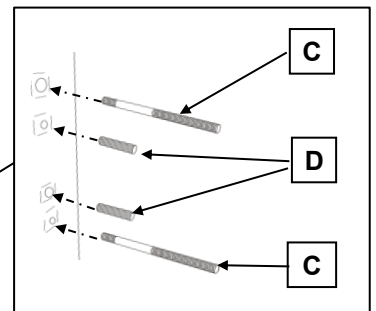
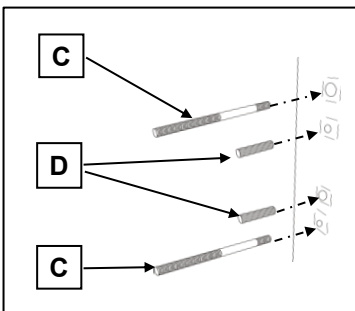
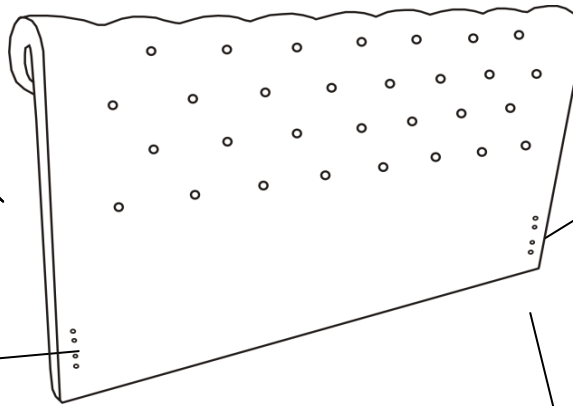


1

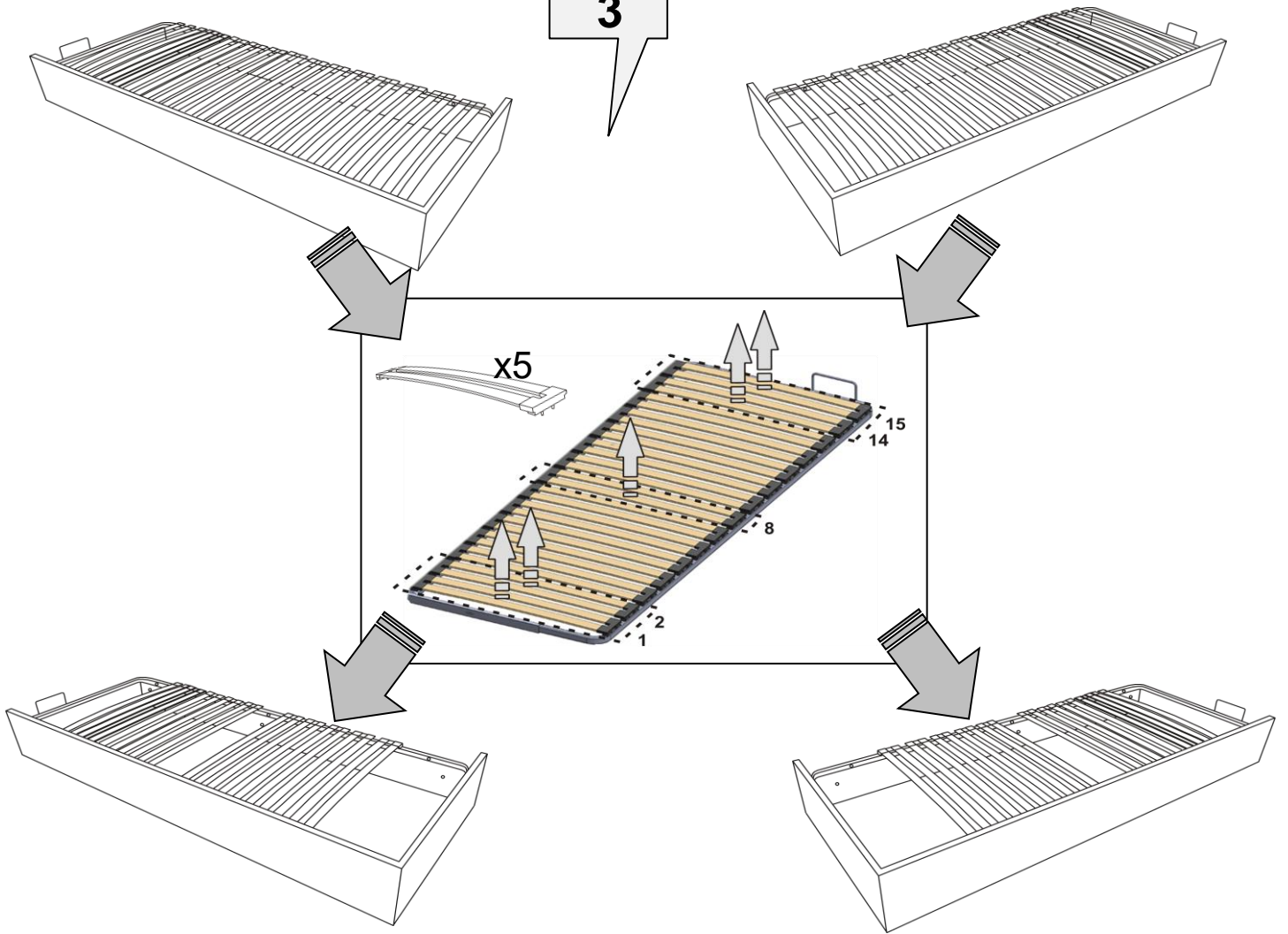


x2

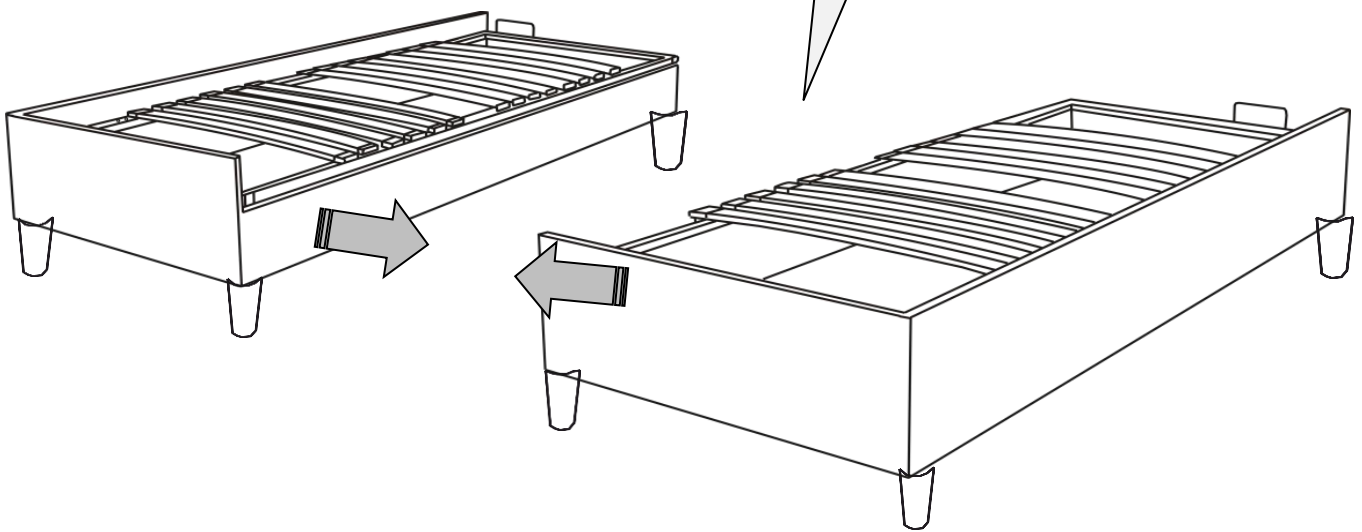
2

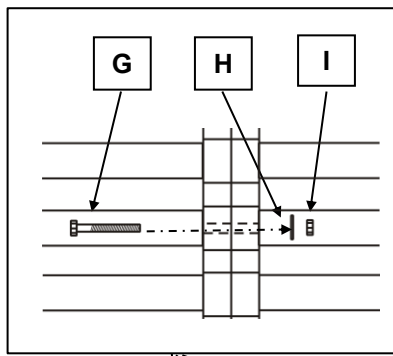


3

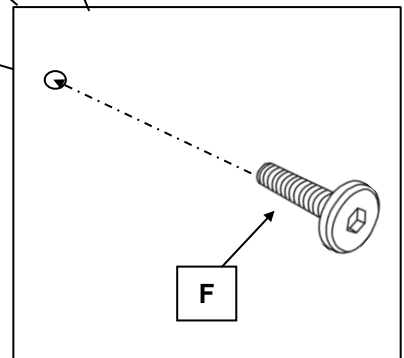
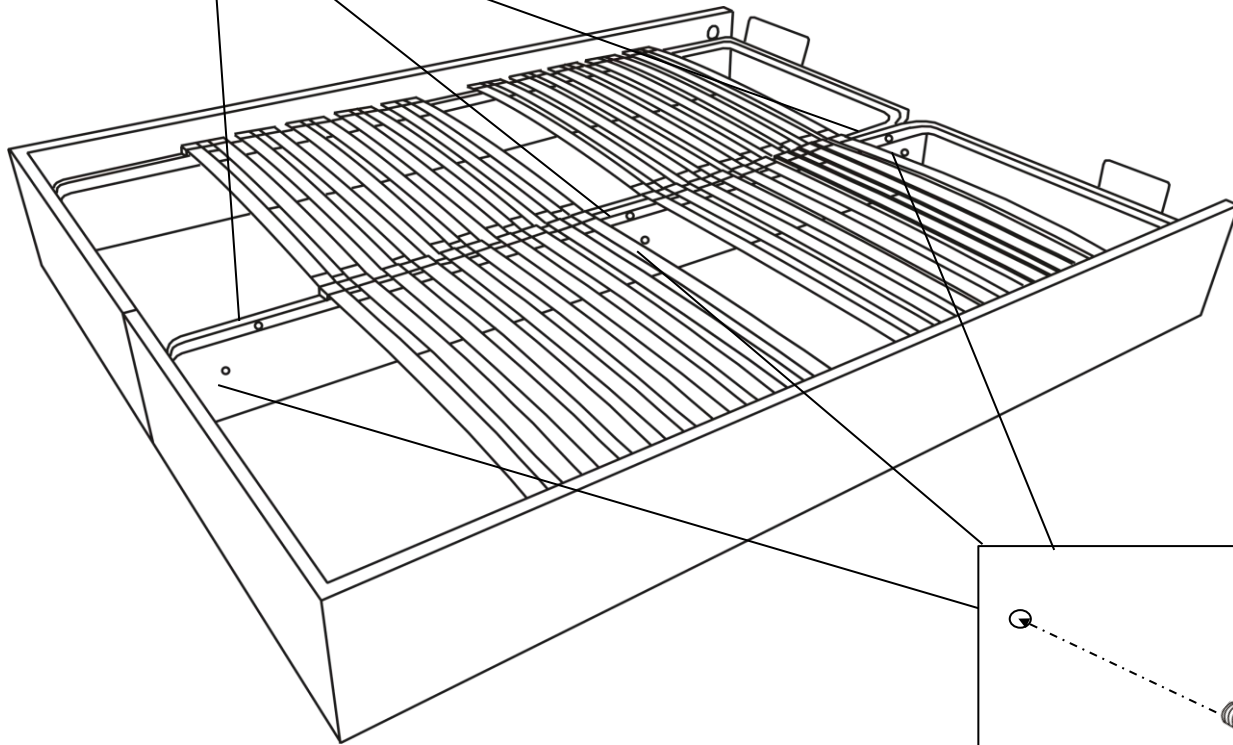


4

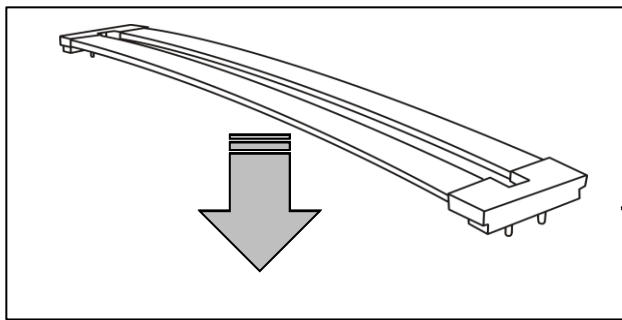




5



6



7

