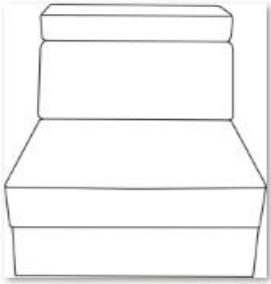
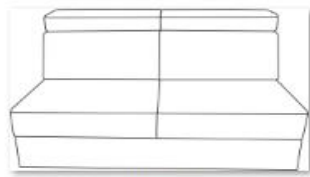


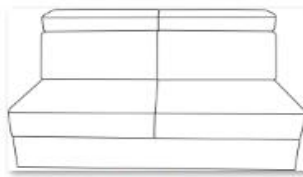
ULISES



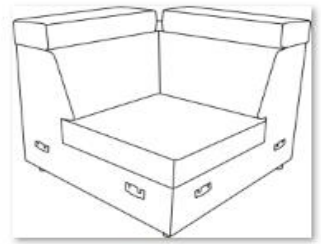
ULISES 1



ULISES 2



ULISES 2F



ULISES E



ULISES HO



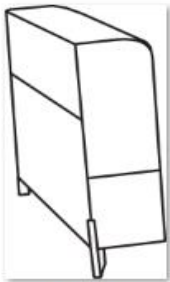
ULISES HO70



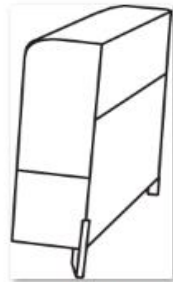
ULISES OBKL



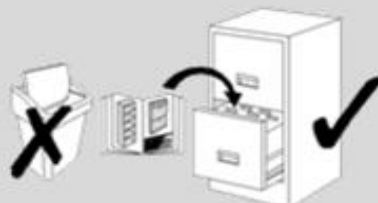
ULISES OBKR



ULISES PKL



ULISES PKR

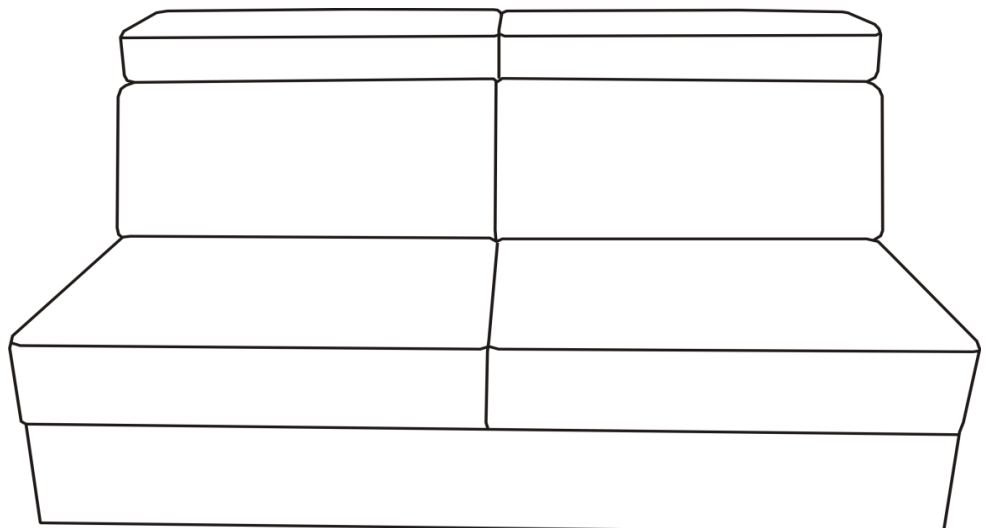
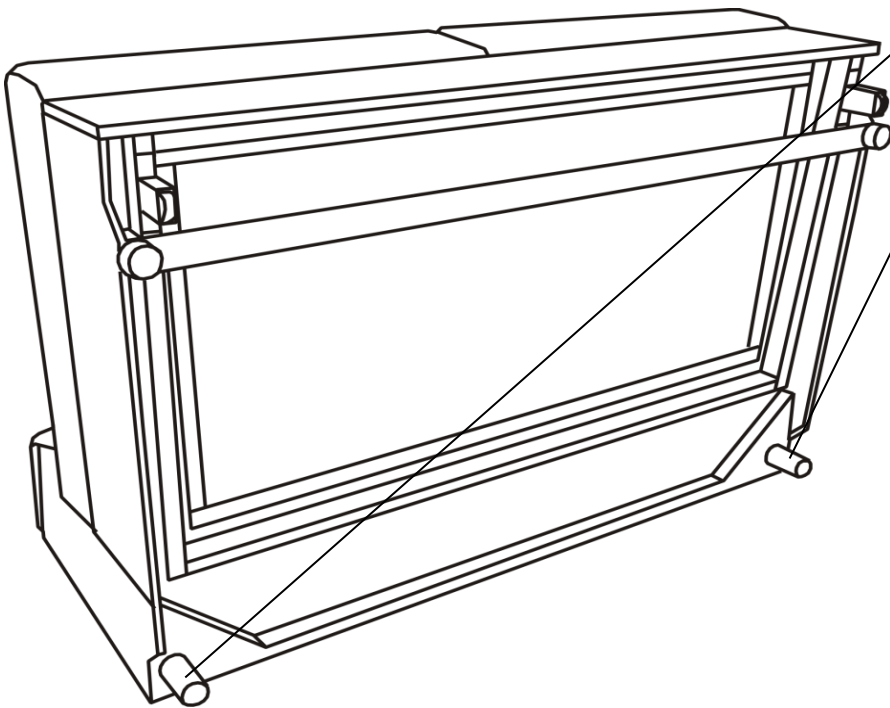
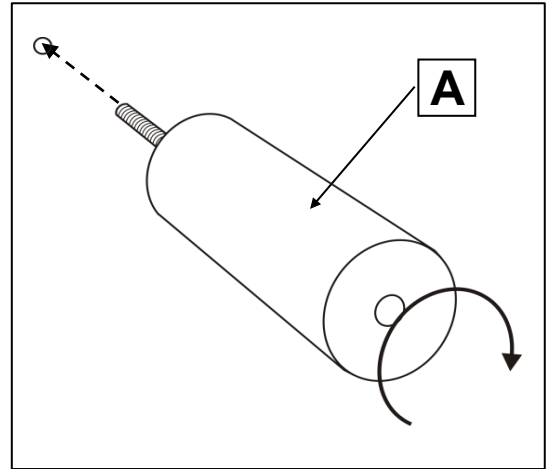


ULISES 2F



A

x2

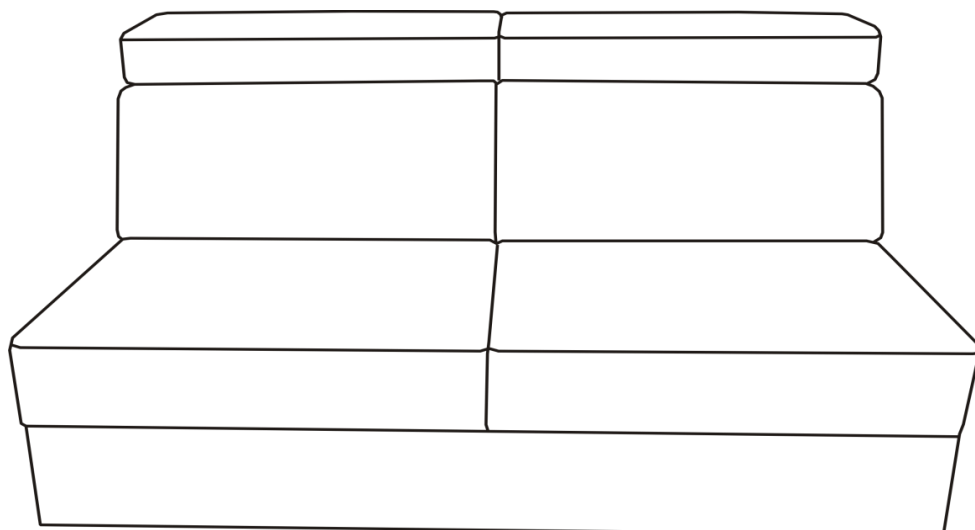
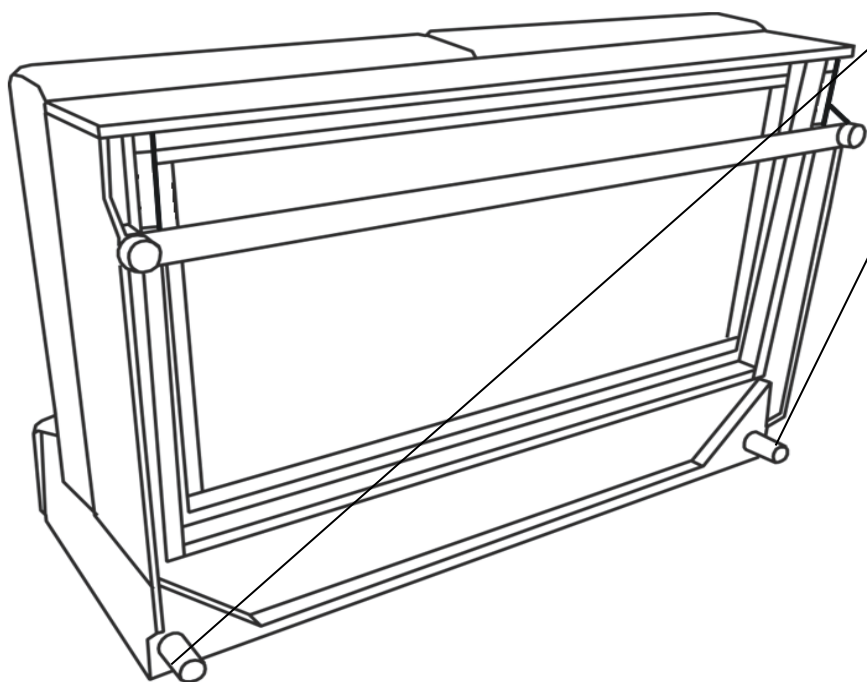
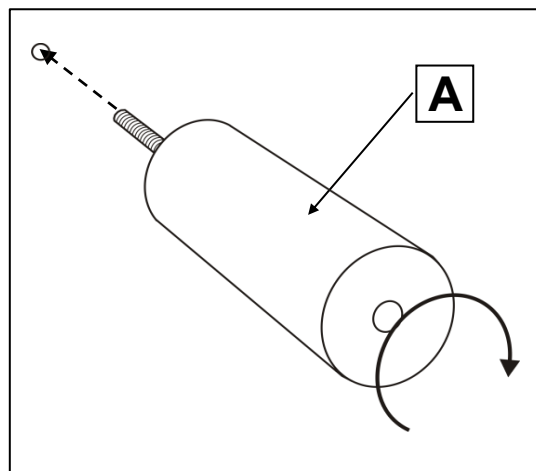


ULISES 2BK



A

x2

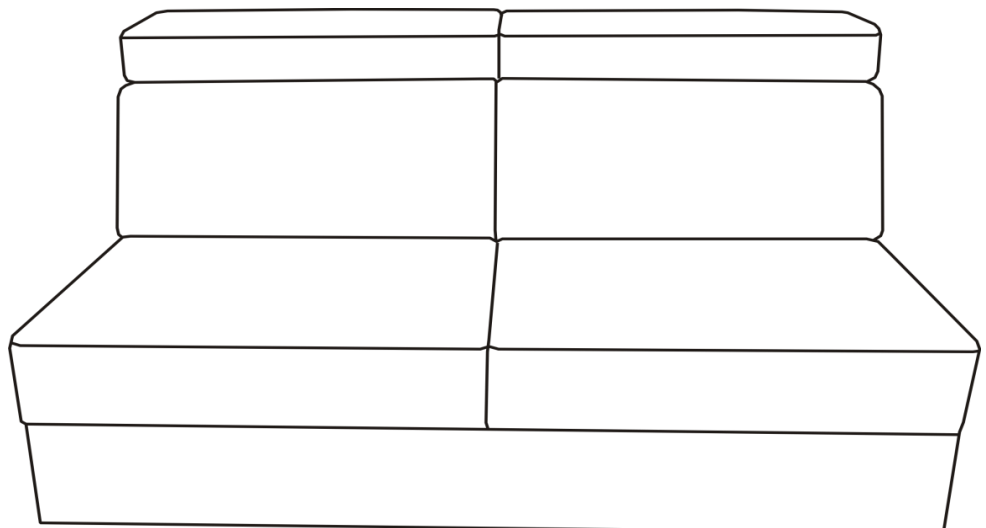
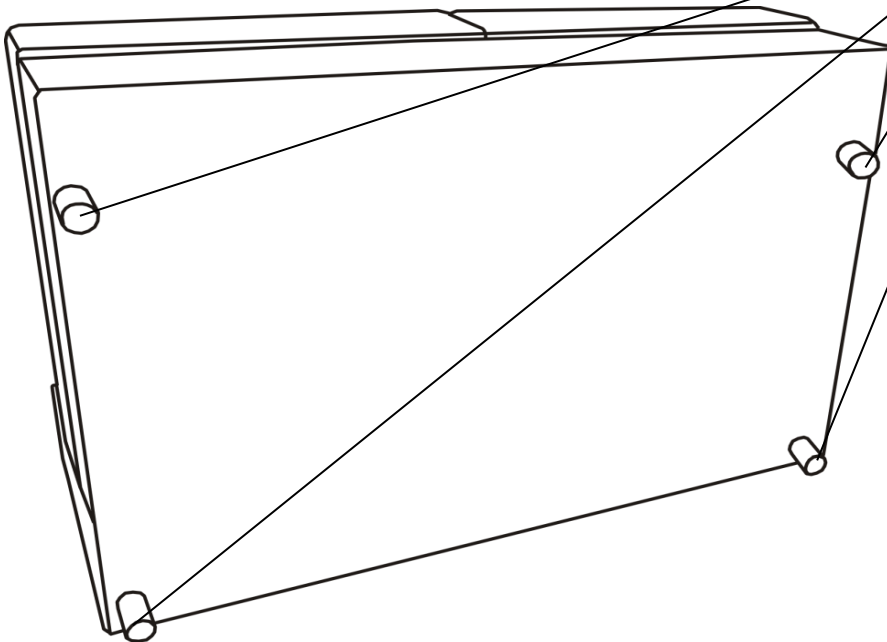
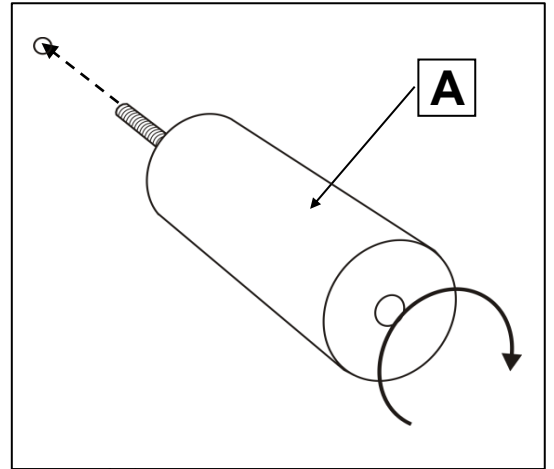


ULISES 2



A

x4

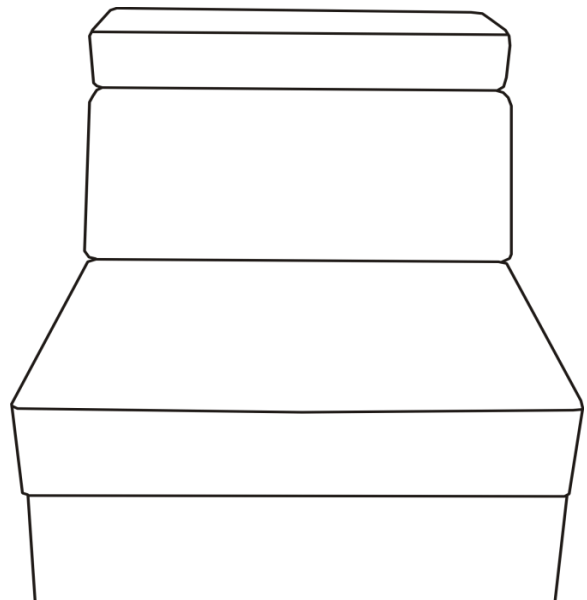
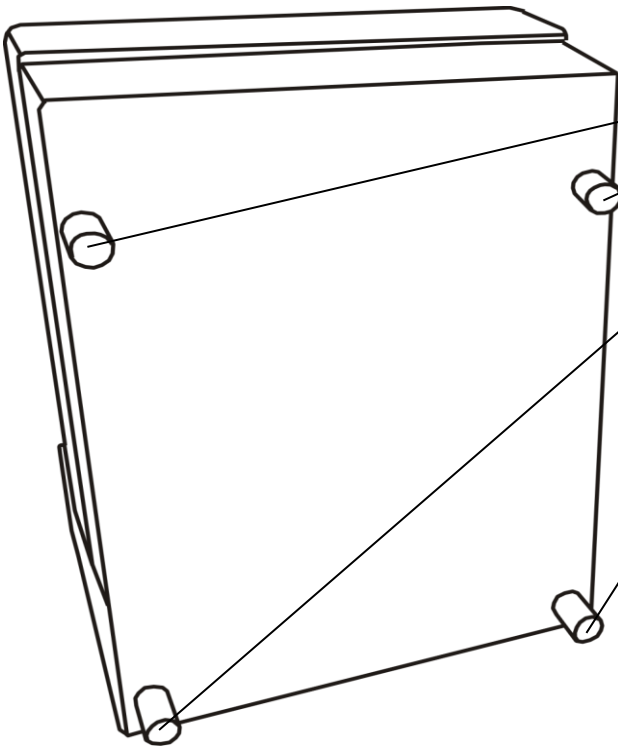
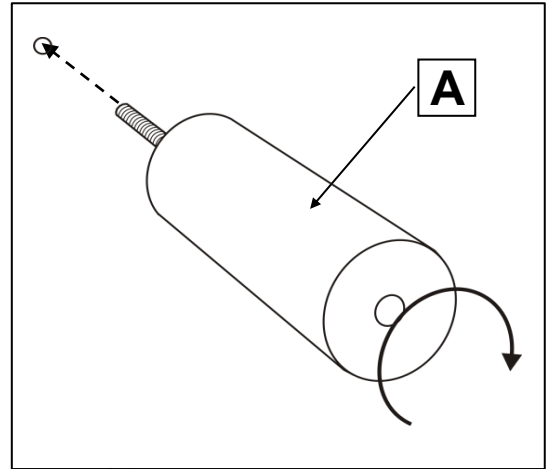


ULISES 1



A

x4

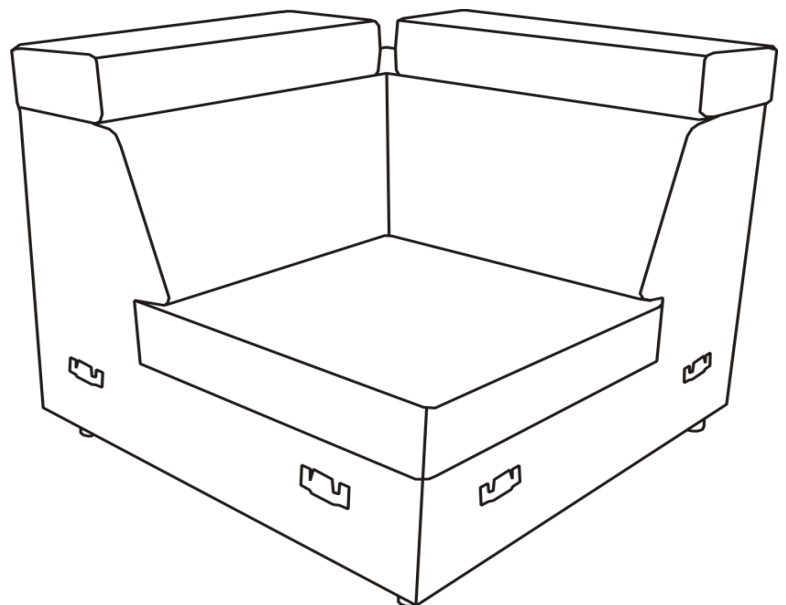
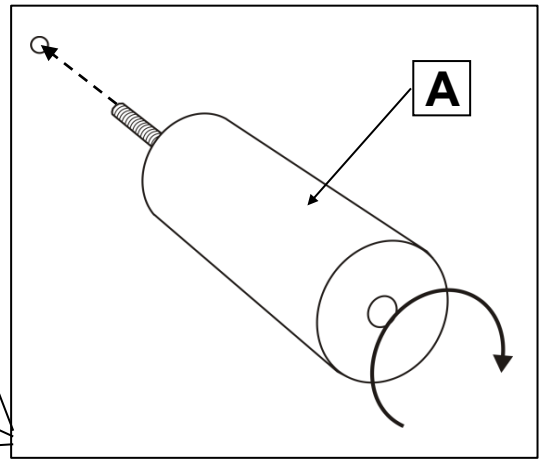
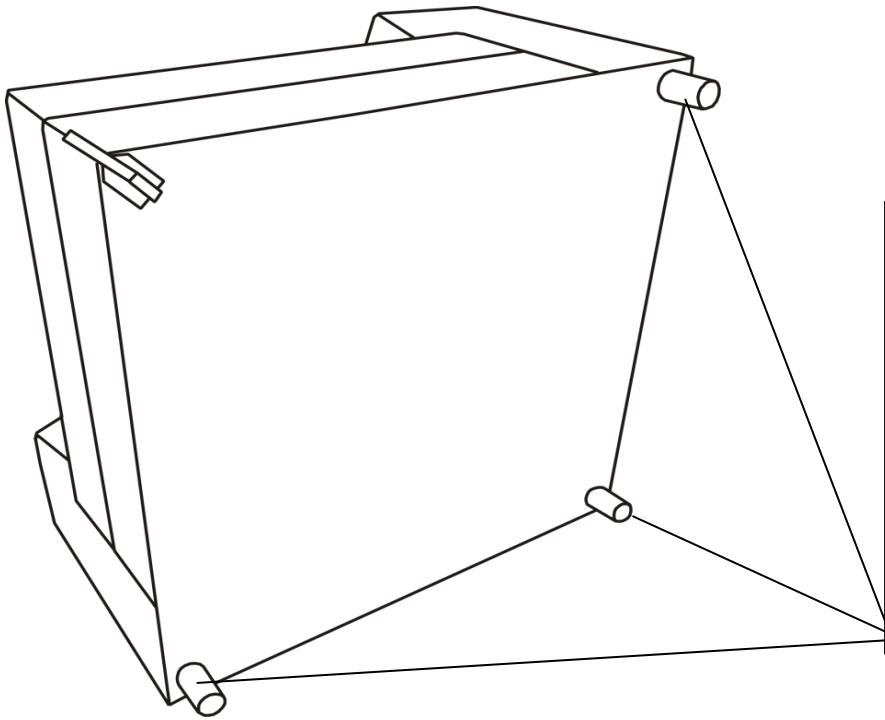


ULISES E



A

x3

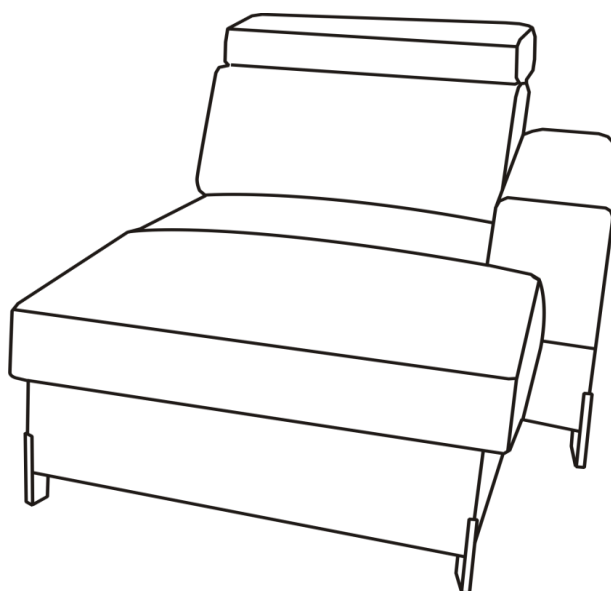
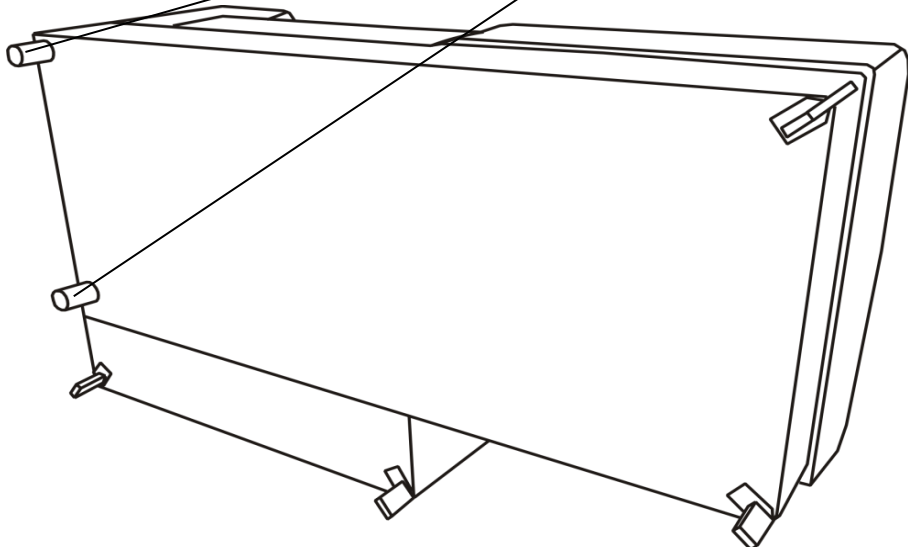
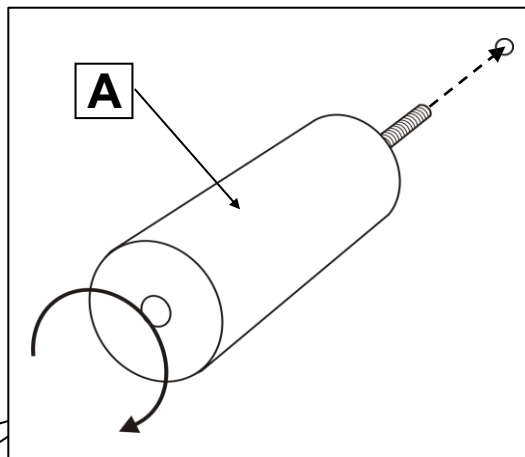


ULISES OBKR



A

x2

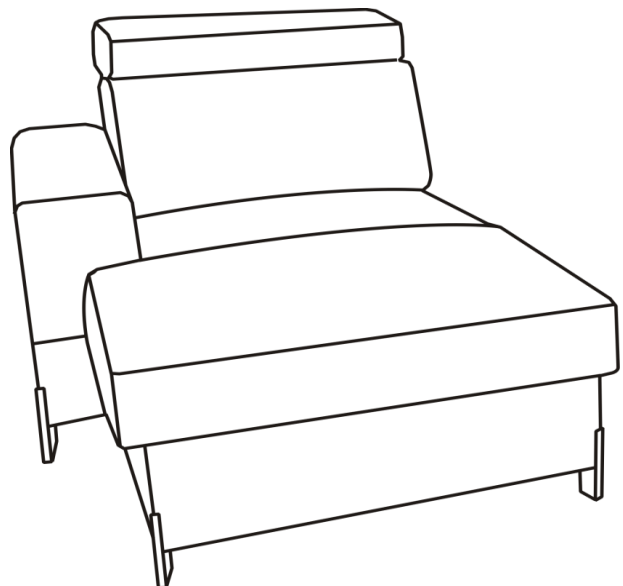
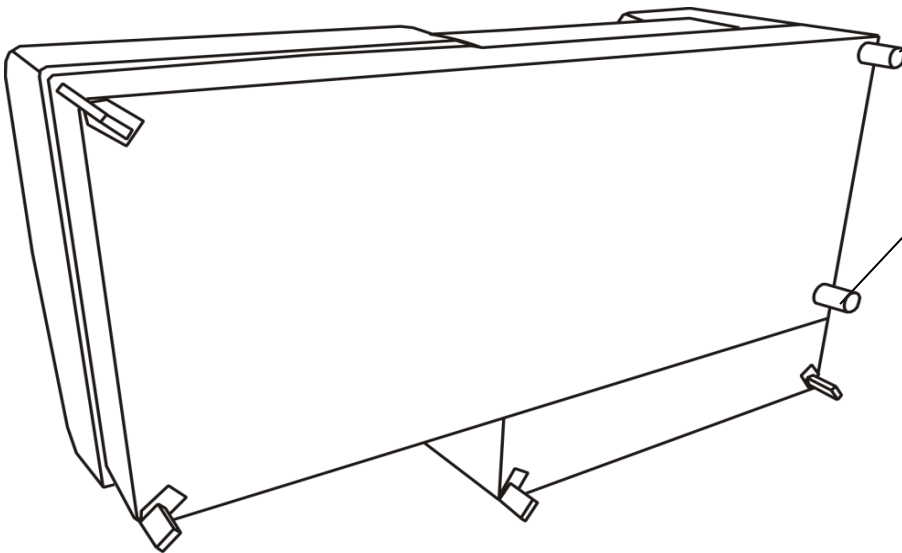
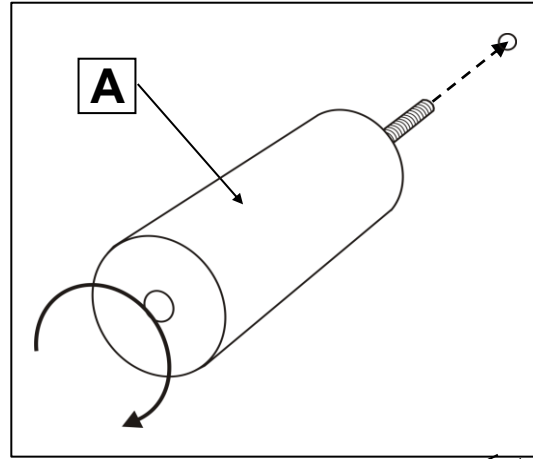


ULISES OBKL



A

x2

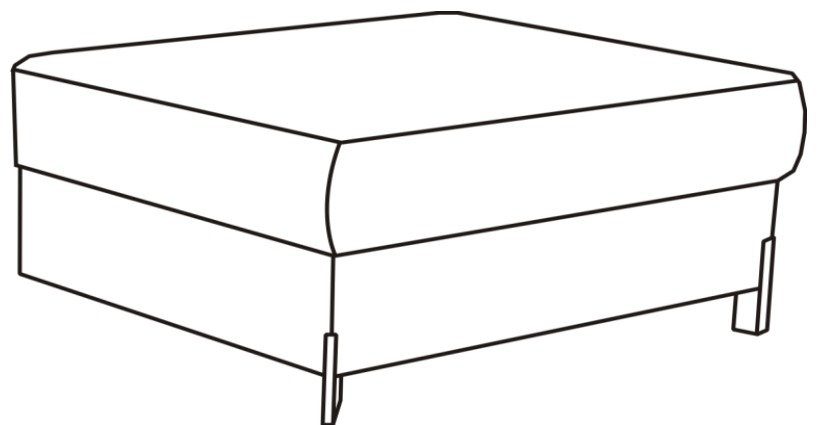
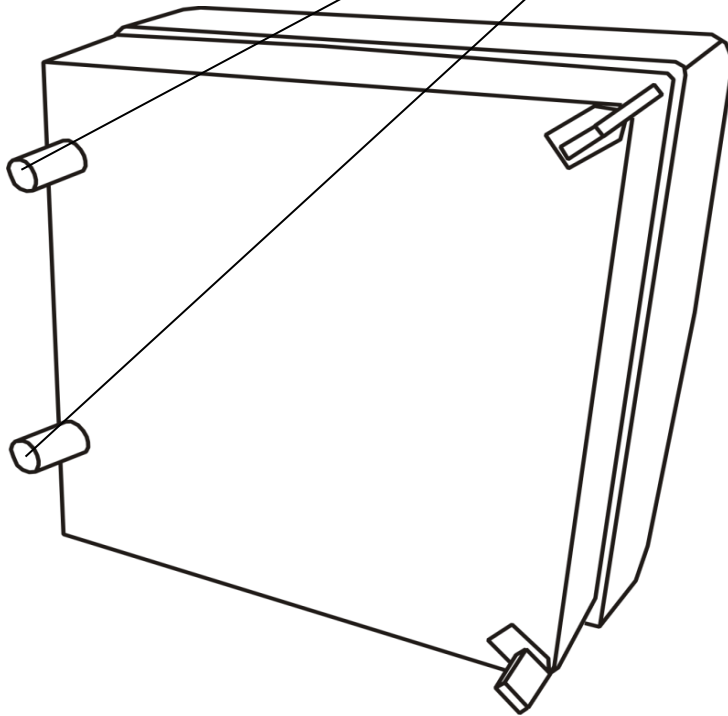
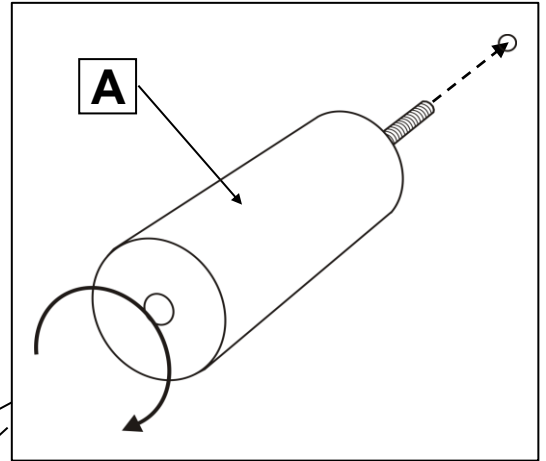


ULISES H070



A

x2

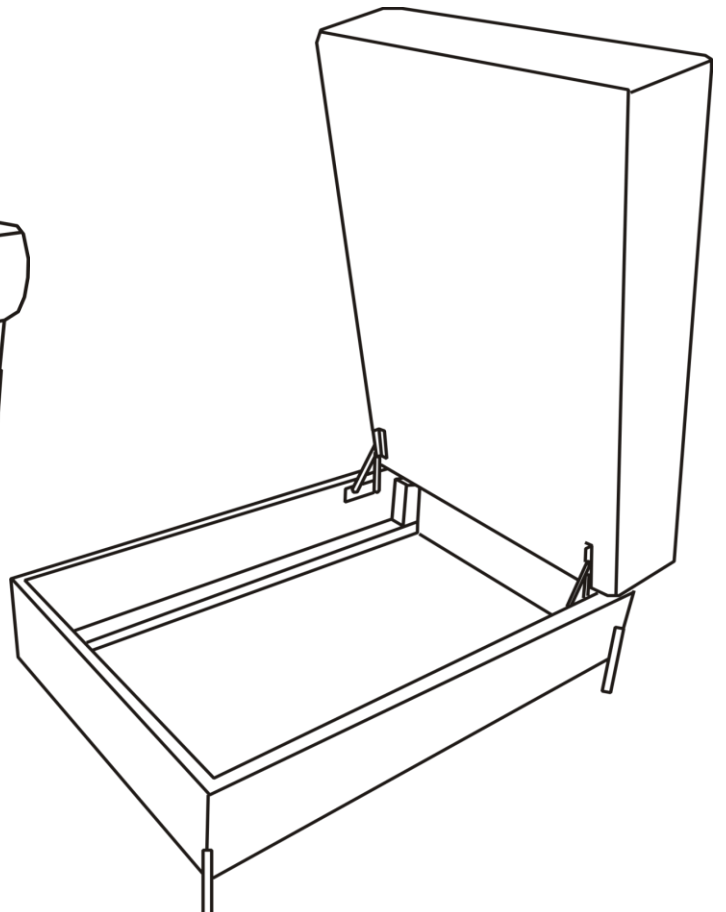
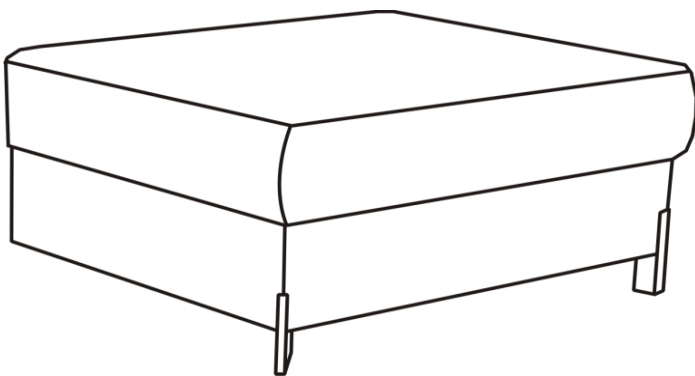
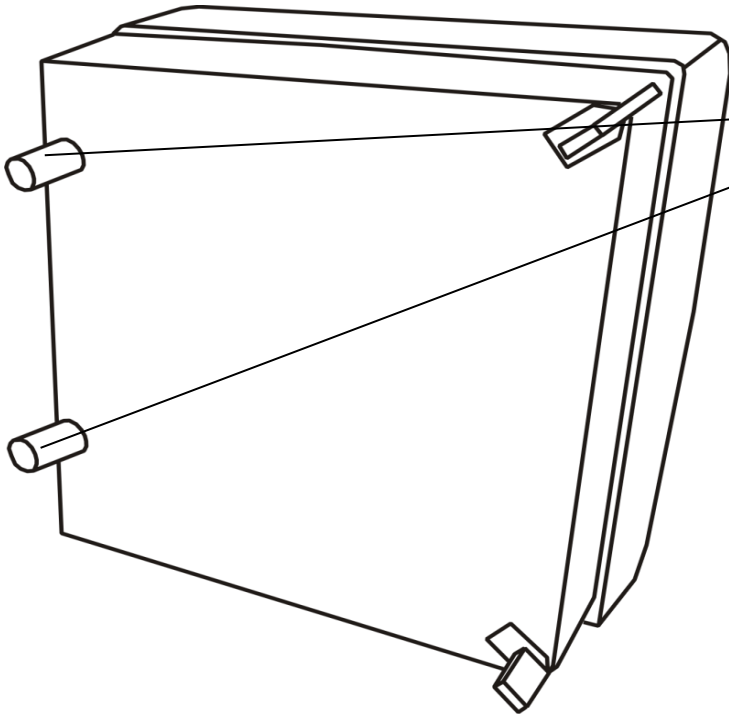
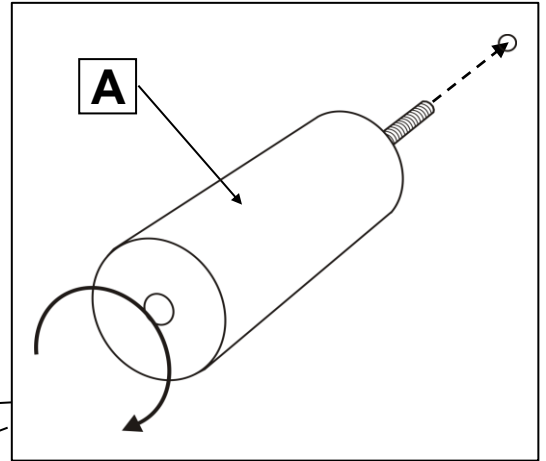


ULISES HOBK70



A

x2

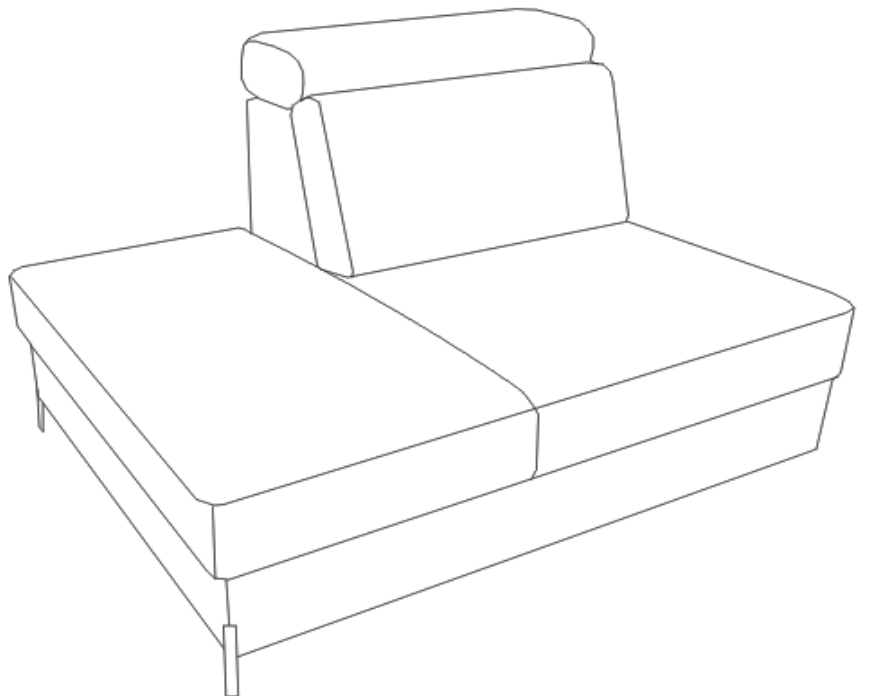
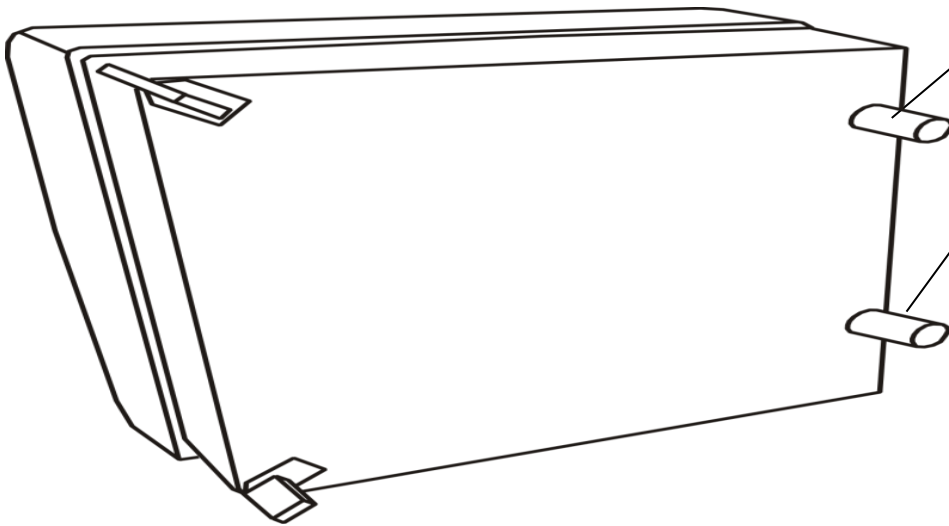
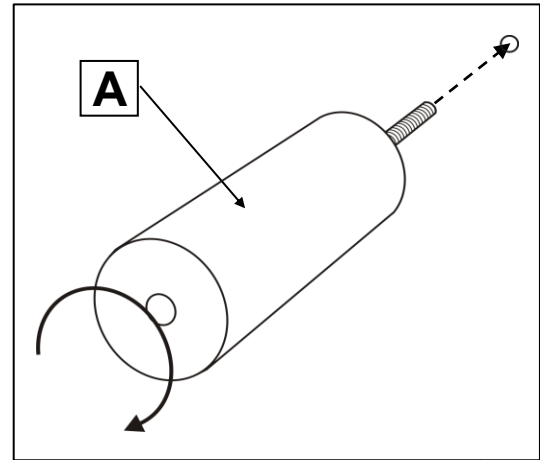


ULISES 1HOBKL



A

x2

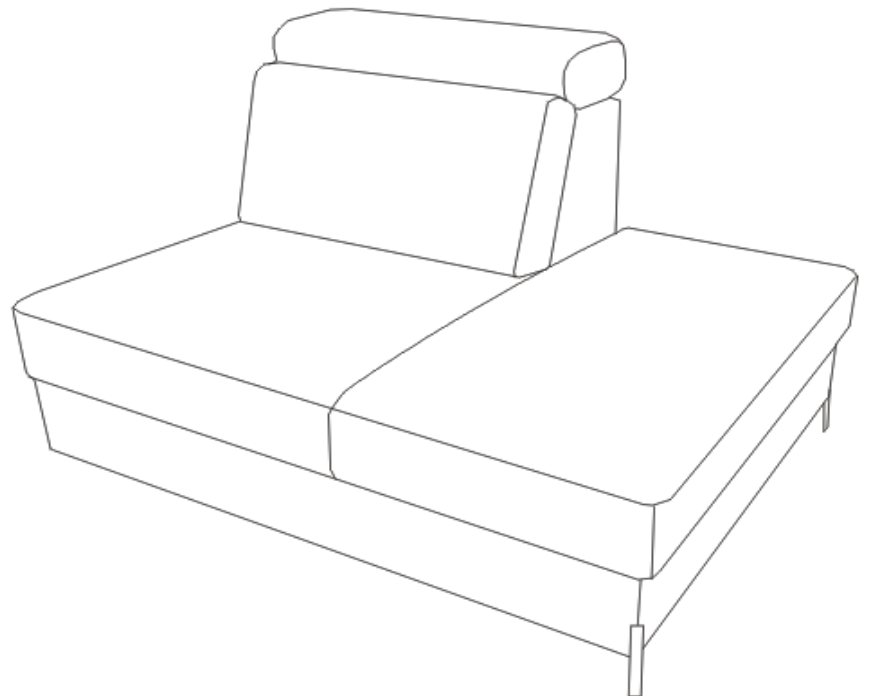
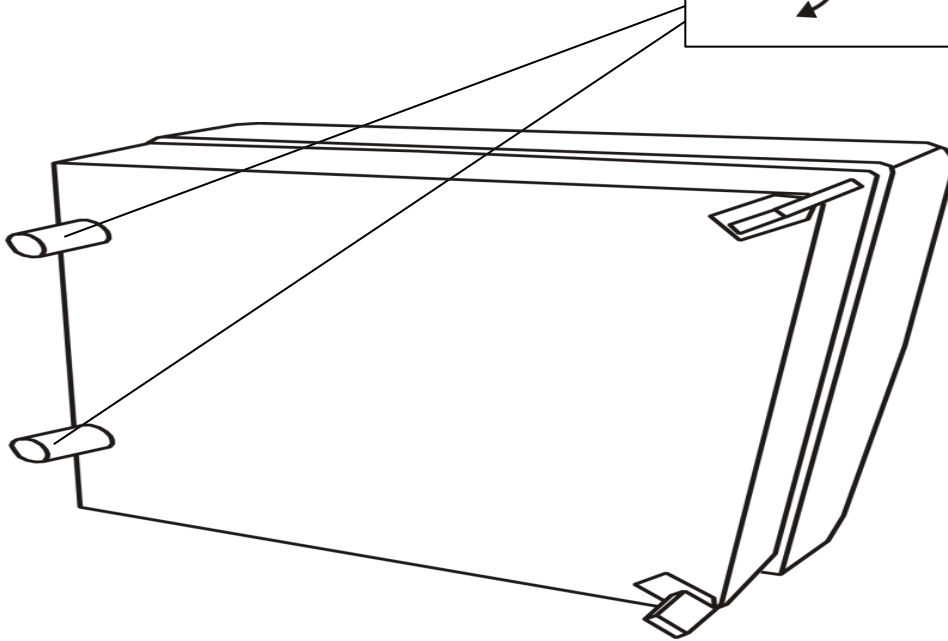
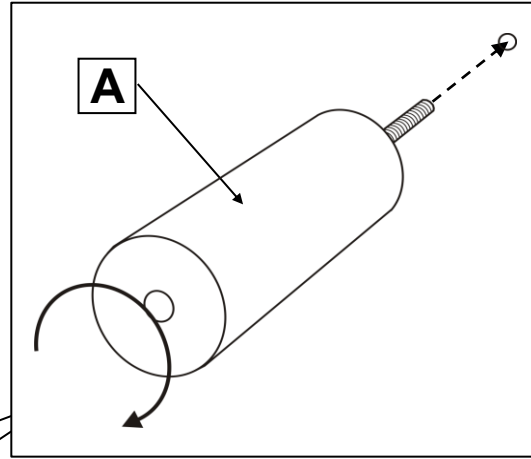


ULISES 1HOBKR

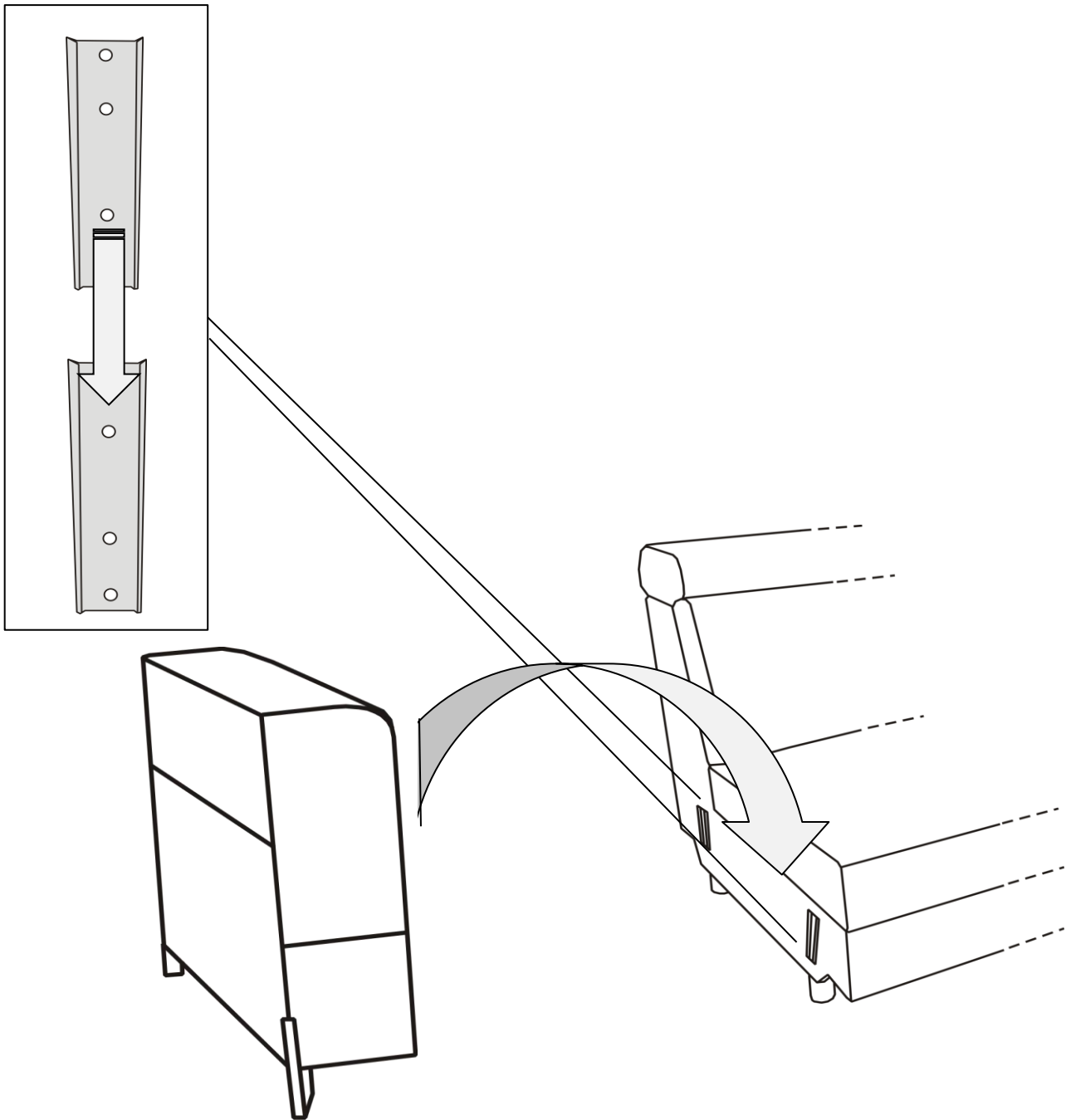


A

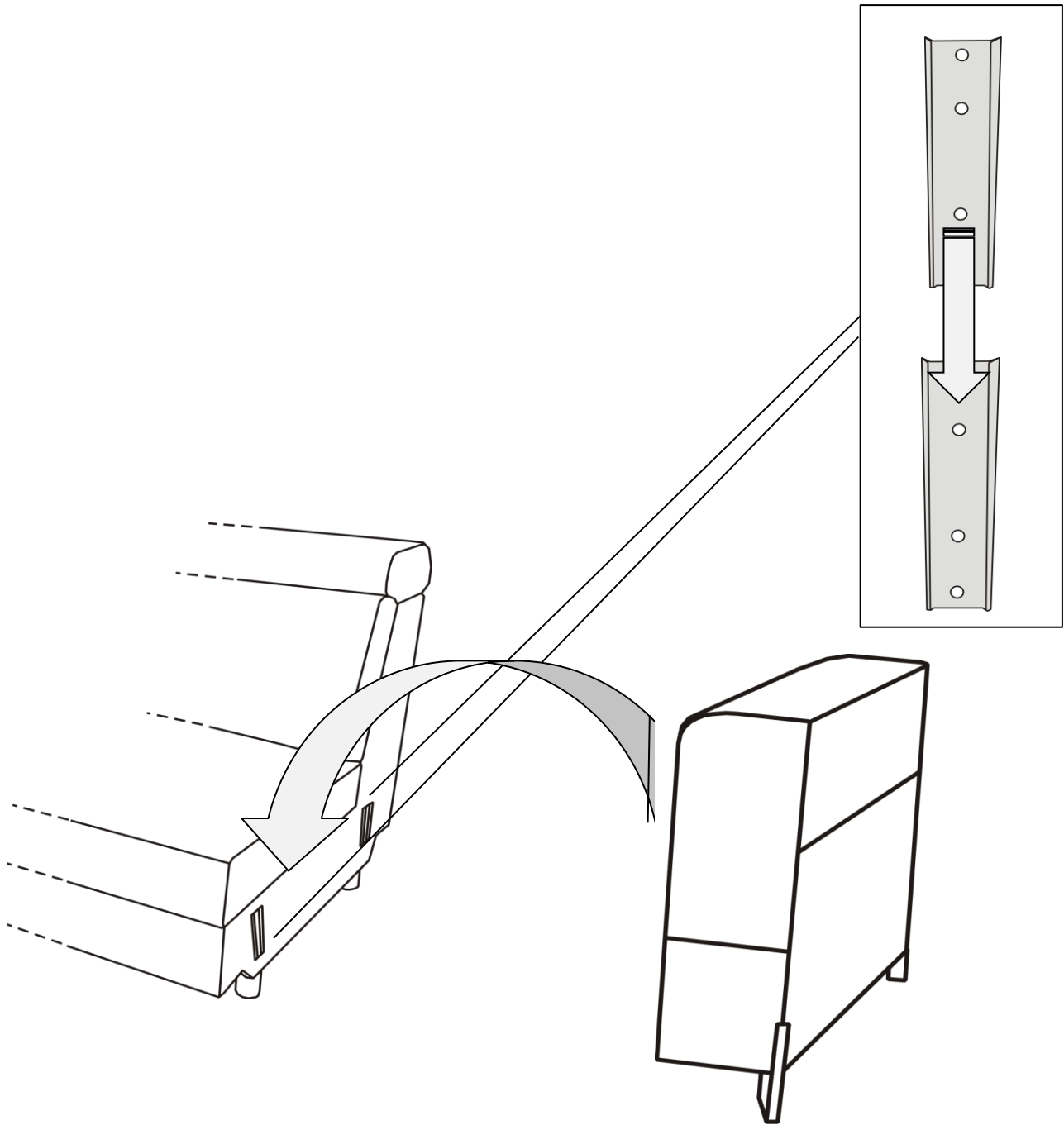
x2



ULISES PKL



ULISES PKR



ULISES

